

# OPERATOR'S MANUAL

## Lawn Tractor & Garden Tractor

---

### Table of Contents

<i>Important Safe Operation Practices</i> .....	2	<i>Product Care</i> .....	16
<i>Assembly &amp; Set-Up</i> .....	7	<i>Parts/Warranty</i> .....	<i>See Separate Supplement</i>
<i>Controls &amp; Operation</i> .....	11		

---

### **WARNING**

**READ AND FOLLOW ALL SAFETY RULES AND INSTRUCTIONS IN THIS MANUAL  
BEFORE ATTEMPTING TO OPERATE THIS MACHINE.  
FAILURE TO COMPLY WITH THESE INSTRUCTIONS MAY RESULT IN PERSONAL INJURY.**

**NOTE:** This Operator's Manual covers several models. Features may vary by model. Not all features in this manual are applicable to all models and the model depicted may differ from yours.



**⚠ WARNING**

⚠ This symbol points out important safety instructions which, if not followed, could endanger the personal safety and/or property of yourself and others. Read and follow all instructions in this manual before attempting to operate this machine. Failure to comply with these instructions may result in personal injury. When you see this symbol. **HEED ITS WARNING!**

**⚠ WARNING**

California Proposition 65

Engine Exhaust, some of its constituents, and certain vehicle components contain or emit chemicals known to State of California to cause cancer and birth defects or other reproductive harm. Battery posts, terminals, and related accessories contain lead and lead compounds, chemicals known to the State of California to cause cancer and reproductive harm. Wash hands after handling.

**⚠ DANGER**

This machine was built to be operated according to the safe operation practices in this manual. As with any type of power equipment, carelessness or error on the part of the operator can result in serious injury. This machine is capable of amputating hands and feet and throwing objects. Failure to observe the following safety instructions could result in serious injury or death.

**General Operation**

- |   |  |   |
|---|--|---|
| <ol style="list-style-type: none"> <li>1. Read, understand, and follow all instructions on the machine and in the manual(s) before attempting to assemble and operate. Keep this manual in a safe place for future and regular reference and for ordering replacement parts.</li> <li>2. Be familiar with all controls and their proper operation. Know how to stop the machine and disengage them quickly.</li> <li>3. Never allow children under 14 years of age to operate this machine. Children 14 and over should read and understand the instructions and safe operation practices in this manual and on the machine and should be trained and supervised by an adult.</li> <li>4. Never allow adults to operate this machine without proper instruction.</li> <li>5. To help avoid blade contact or a thrown object injury, keep bystanders, helpers, children and pets at least 75 feet from the machine while it is in operation. Stop machine if anyone enters the area.</li> <li>6. Thoroughly inspect the area where the equipment is to be used. Remove all stones, sticks, wire, bones, toys, and other foreign objects which could be picked up and thrown by the blade(s). Thrown objects can cause serious personal injury.</li> <li>7. Plan your mowing pattern to avoid discharge of material toward roads, sidewalks, bystanders and the like. Also, avoid discharging material against a wall or obstruction which may cause discharged material to ricochet back toward the operator.</li> <li>8. Always wear safety glasses or safety goggles during operation and while performing an adjustment or repair to protect your eyes. Thrown objects which ricochet can cause serious injury to the eyes.</li> <li>9. Wear sturdy, rough-soled work shoes and close-fitting slacks and shirts. Loose fitting clothes and jewelry can be caught in movable parts. Never operate this machine in bare feet or sandals.</li> </ol> | <ol style="list-style-type: none"> <li>10. For extended use of this product, hearing protection is required.</li> <li>11. Be aware of the mower and attachment discharge direction and do not point it at anyone. Do not operate the mower without the discharge cover or entire grass catcher in its proper place.</li> <li>12. Do not put hands or feet near rotating parts or under the cutting deck. Contact with the blade(s) can amputate hands and feet.</li> <li>13. A missing or damaged discharge cover can cause blade contact or thrown object injuries.</li> <li>14. Stop the blade(s) when crossing gravel drives, walks, or roads and while not cutting grass.</li> <li>15. Watch for traffic when operating near or crossing roadways. This machine is not intended for use on any public roadway.</li> <li>16. Do not operate the machine while under the influence of alcohol or drugs.</li> <li>17. Mow only in daylight or good artificial light.</li> <li>18. Never carry passengers.</li> <li>19. Disengage blade(s) before shifting into reverse. Back up slowly. Always look down and behind before and while backing to avoid a back-over accident.</li> <li>20. Slow down before turning. Operate the machine smoothly. Avoid erratic operation and excessive speed.</li> <li>21. Disengage blade(s), set parking brake, stop engine and wait until the blade(s) come to a complete stop before removing grass catcher, emptying grass, unclogging chute, removing any grass or debris, or making any adjustments.</li> <li>22. Never leave a running machine unattended. Always turn off blade(s), place transmission in neutral, set parking brake, stop engine and remove key before dismounting.</li> <li>23. Use extra care when loading or unloading the machine into a trailer or truck. This machine should not be driven up or down ramp(s), because the machine could tip over, causing serious personal injury. The machine must be pushed manually on ramp(s) to load or unload properly.</li> </ol> | <ol style="list-style-type: none"> <li>24. Muffler and engine become hot and can cause a burn. Do not touch.</li> <li>25. Check overhead clearances carefully before driving under low hanging tree branches, wires, door openings etc., where the operator may be struck or pulled from the machine, which could result in serious injury.</li> <li>26. Disengage all attachment clutches, depress the brake pedal completely and shift into neutral before attempting to start engine.</li> <li>27. Your machine is designed to cut normal residential grass of a height no more than 10". Do not attempt to mow through unusually tall, dry grass (e.g., pasture) or piles of dry leaves. Dry grass or leaves may contact the engine exhaust and/or build up on the mower deck presenting a potential fire hazard.</li> <li>28. Use only accessories and attachments approved for this machine by the machine manufacturer. Read, understand and follow all instructions provided with the approved accessory or attachment.</li> <li>29. Data indicates that operators, age 60 years and above, are involved in a large percentage of riding mower-related injuries. These operators should evaluate their ability to operate the riding mower safely enough to protect themselves and others from serious injury.</li> <li>30. If situations occur which are not covered in this manual, use care and good judgment. Contact your customer service representative for assistance.</li> </ol> |
|---|--|---|

## **Slope Operation**

Slopes are a major factor related to loss of control and tip-over accidents which can result in severe injury or death. All slopes require extra caution. If you cannot back up the slope or if you feel uneasy on it, do not mow it.

For your safety, use the slope gauge included as part of this manual to measure slopes before operating this machine on a sloped or hilly area. If the slope is greater than 15 degrees as shown on the slope gauge, do not operate this machine on that area or serious injury could result.

### **Do:**

1. Mow up and down slopes, not across. Exercise extreme caution when changing direction on slopes.
2. Watch for holes, ruts, bumps, rocks, or other hidden objects. Uneven terrain could overturn the machine. Tall grass can hide obstacles.
3. Use slow speed. Choose a low enough speed setting so that you will not have to stop or shift while on the slope. Tires may lose traction on slopes even though the brakes are functioning properly. Always keep machine in gear when going down slopes to take advantage of engine braking action.
4. Follow the manufacturer's recommendations for wheel weights or counterweights to improve stability.
5. Use extra care with grass catchers or other attachments. These can change the stability of the machine.
6. Keep all movement on the slopes slow and gradual. Do not make sudden changes in speed or direction. Rapid engagement or braking could cause the front of the machine to lift and rapidly flip over backwards which could cause serious injury.
7. Avoid starting or stopping on a slope. If tires lose traction, disengage the blade(s) and proceed slowly straight down the slope.

### **Do Not:**

1. Do not turn on slopes unless necessary; then, turn slowly and gradually downhill, if possible.
2. Do not mow near drop-offs, ditches or embankments. The mower could suddenly turn over if a wheel is over the edge of a cliff, ditch, or if an edge caves in.
3. Do not try to stabilize the machine by putting your foot on the ground.
4. Do not use a grass catcher on steep slopes.
5. Do not mow on wet grass. Reduced traction could cause sliding.
6. Do not shift to neutral and coast downhill. Over-speeding may cause the operator to lose control of the machine resulting in serious injury or death.

7. Do not tow heavy pull behind attachments (e.g. loaded dump cart, lawn roller, etc.) on slopes greater than 5 degrees. When going down hill, the extra weight tends to push the tractor and may cause you to lose control (e.g. tractor may speed up, braking and steering ability are reduced, attachment may jack-knife and cause tractor to overturn).

## **Children**

1. Tragic accidents can occur if the operator is not alert to the presence of children. Children are often attracted to the machine and the mowing activity. They do not understand the dangers. Never assume that children will remain where you last saw them.
  - a. Keep children out of the mowing area and in watchful care of a responsible adult other than the operator.
  - b. Be alert and turn machine off if a child enters the area.
  - c. Before and while backing, look behind and down for small children.
  - d. Never carry children, even with the blade(s) shut off. They may fall off and be seriously injured or interfere with safe machine operation.
  - e. Use extreme care when approaching blind corners, doorways, shrubs, trees or other objects that may block your vision of a child who may run into the path of the machine.
  - f. To avoid back-over accidents, always disengage the cutting blade(s) before shifting into Reverse. If equipped, the "Reverse Caution Mode" should not be used when children or others are around.
  - g. Keep children away from hot or running engines. They can suffer burns from a hot muffler.
  - h. Remove key when machine is unattended to prevent unauthorized operation.
2. Never allow children under 14 years of age to operate this machine. Children 14 and over should read and understand the instructions and safe operation practices in this manual and on the machine and should be trained and supervised by an adult.

## **Towing**

1. Tow only with a machine that has a hitch designed for towing. Do not attach towed equipment except at the hitch point.

2. Follow the manufacturer's recommendation for weight limits for towed equipment and towing on slopes.
3. Never allow children or others in or on towed equipment.
4. On slopes, the weight of the towed equipment may cause loss of traction and loss of control.
5. Always use extra caution when towing with a machine capable of making tight turns (e.g. "zero-turn" ride-on mower). Make wide turns to avoid jack-knifing.
6. Travel slowly and allow extra distance to stop.
7. Do not shift to neutral and coast downhill.

## **Service**

### **Safe Handling of Gasoline:**

1. To avoid personal injury or property damage use extreme care in handling gasoline. **Gasoline is extremely flammable and the vapors are explosive.** Serious personal injury can occur when gasoline is spilled on yourself or your clothes which can ignite. Wash your skin and change clothes immediately.
  - a. Use only an approved gasoline container.
  - b. Never fill containers inside a vehicle or on a truck or trailer bed with a plastic liner. Always place containers on the ground away from your vehicle before filling.
  - c. When practical, remove gas-powered equipment from the truck or trailer and refuel it on the ground. If this is not possible, then refuel such equipment on a trailer with a portable container, rather than from a gasoline dispenser nozzle.
  - d. Keep the nozzle in contact with the rim of the fuel tank or container opening at all times until fueling is complete. Do not use a nozzle lock-open device.
  - e. Extinguish all cigarettes, cigars, pipes and other sources of ignition.
  - f. Never fuel machine indoors.
  - g. Never remove gas cap or add fuel while the engine is hot or running. Allow engine to cool at least two minutes before refueling.
  - h. Never over fill fuel tank. Fill tank to no more than the bottom of filler neck to allow space for fuel expansion.
  - i. Replace gasoline cap and tighten securely.

- j. If gasoline is spilled, wipe it off the engine and equipment. Move machine to another area. Wait 5 minutes before starting the engine.
- k. To reduce fire hazards, keep machine free of grass, leaves, or other debris build-up. Follow the "Post-Operation Tractor Care" instructions in the Product Care section. Clean up oil or fuel spillage and remove any fuel soaked debris.
- l. Never store the machine or fuel container inside where there is an open flame, spark or pilot light as on a water heater, space heater, furnace, clothes dryer or other gas appliances.
- m. Allow a machine to cool at least five minutes before storing.

#### General Service

1. Never run an engine indoors or in a poorly ventilated area. Engine exhaust contains carbon monoxide, an odorless, and deadly gas.
2. Before cleaning, repairing, or inspecting, make certain the blade(s) and all moving parts have stopped. Disconnect the spark plug wire and ground against the engine to prevent unintended starting.
3. Periodically check to make sure the blades come to complete stop within approximately (5) five seconds after operating the blade disengagement control. If the blades do not stop within this time frame, your machine should be serviced professionally by an authorized service dealer.
4. Check brake operation frequently as it is subjected to wear during normal operation. Adjust and service as required.
5. Check the blade(s) and engine mounting bolts at frequent intervals for proper tightness. Also, visually inspect blade(s) for damage (e.g., excessive wear, bent, cracked). Replace the blade(s) with the original equipment manufacturer's (O.E.M.) blade(s) only, listed in this manual. "Use of parts which do not meet the original equipment specifications may lead to improper performance and compromise safety!"
6. Mower blades are sharp. Wrap the blade or wear gloves, and use extra caution when servicing them.
7. Keep all nuts, bolts, and screws tight to be sure the equipment is in safe working condition.
8. Never tamper with the safety interlock system or other safety devices. Check their proper operation regularly.
9. After striking a foreign object, stop the engine, disconnect the spark plug wire(s) and ground against the engine.

Thoroughly inspect the machine for any damage. Repair the damage before starting and operating.

10. Never attempt to make adjustments or repairs to the machine while the engine is running.
11. Grass catcher components and the discharge cover are subject to wear and damage which could expose moving parts or allow objects to be thrown. For safety protection, frequently check components and replace immediately with original equipment manufacturer's (O.E.M.) parts only, listed in this manual. "Use of parts which do not meet the original equipment specifications may lead to improper performance and compromise safety!"
12. Do not change the engine governor settings or over-speed the engine. The governor controls the maximum safe operating speed of the engine.
13. Maintain or replace safety and instruction labels, as necessary.
14. Observe proper disposal laws and regulations for gas, oil, etc. to protect the environment.
15. According to the Consumer Products Safety Commission (CPSC) and the U.S. Environmental Protection Agency (EPA), this product has an *Average Useful Life* of seven (7) years, or 390 hours of operation. At the end of the *Average Useful Life* have the machine inspected annually by an authorized service dealer to ensure that all mechanical and safety systems are working properly and not worn excessively. Failure to do so can result in accidents, injuries or death.

#### **Do not modify engine**

To avoid serious injury or death, do not modify engine in any way. Tampering with the governor setting can lead to a runaway engine and cause it to operate at unsafe speeds. Never tamper with factory setting of engine governor.

#### **Notice Regarding Emissions**

Engines which are certified to comply with California and federal EPA emission regulations for SORE (Small Off Road Equipment) are certified to operate on regular unleaded gasoline, and may include the following emission control systems: Engine Modification (EM), Oxidizing Catalyst (OC), Secondary Air Injection (SAI) and Three Way Catalyst (TWC) if so equipped.

When required, models are equipped with low permeation fuel lines and fuel tanks for evaporative emission control. California models may also include a carbon canister. Please contact Customer Support for information regarding the evaporative emission control configuration for your model.

#### **Spark Arrestor**

##### **▲ WARNING**















This machine is equipped with an internal combustion engine and should not be used on or near any unimproved forest-covered, brush-covered or grass-covered land unless the engine's exhaust system is equipped with a spark arrestor meeting applicable local or state laws (if any).

If a spark arrestor is used, it should be maintained in effective working order by the operator. In the State of California the above is required by law (Section 4442 of the California Public Resources Code). Other states may have similar laws. Federal laws apply on federal lands.

A spark arrestor for the muffler is available through your nearest engine authorized service dealer or contact the service department, P.O. Box 361131 Cleveland, Ohio 44136-0019.

## Safety Symbols

This page depicts and describes safety symbols that may appear on this product. Read, understand, and follow all instructions on the machine before attempting to assemble and operate.

Symbol	Description
	<b>READ THE OPERATOR'S MANUAL(S)</b> Read, understand, and follow all instructions in the manual(s) before attempting to assemble and operate.
	<b>DANGER — ROTATING BLADES</b> Never carry passengers. Never carry children, even with the blades off.
	<b>DANGER — ROTATING BLADES</b> Mowing in reverse is not recommended.
	<b>WARNING — ROTATING BLADES</b> Do not put hands or feet near rotating parts or under the cutting deck. Contact with the blade(s) can amputate hands and feet.
	<b>DANGER — ROTATING BLADES</b> Look down and behind before and while backing to avoid a back-over accident.
	<b>WARNING — THROWN OBJECTS</b> This machine may pick up and throw objects which can cause serious personal injury.
	<b>DANGER — SAFETY DEVICES</b> Keep safety devices (guards, shields, switches, etc.) in place and working.
	<b>WARNING — BYSTANDERS</b> Keep bystanders, helpers, children and pets at least 75 feet from the machine while it is in operation.
	<b>WARNING — SLOPE OPERATION</b> Do not operate this machine on a slope greater than 15 degrees. Do not mow across slopes. Mow up and down slopes no greater than 15 degrees. Avoid sudden turns. Use low speed. If machine stops going uphill, stop blades and back down slowly.
	<b>WARNING — HOT SURFACE</b> Engine parts, especially the muffler, become extremely hot during operation. Allow engine and muffler to cool before touching.
	<b>DANGER — ROTATING BLADES</b> To reduce the risk of injury, keep hands and feet away. Do not operate unless discharge cover or grass catcher is in its proper place. If damaged, replace immediately.
	<b>WARNING — FIRE HAZARD</b> Allow machine to cool before fueling or storing.
	<b>WARNING — FIRE HAZARD</b> Do not drive through piles of dry leaves or tall grass.
	<b>WARNING — FIRE HAZARD</b> Do not allow debris to accumulate. The build up of debris can lead to a fire.

### **WARNING**

Your Responsibility — Restrict the use of this power machine to persons who read, understand and follow the warnings and instructions in this manual and on the machine.

**SAVE THESE INSTRUCTIONS!**

## Slope Gauge

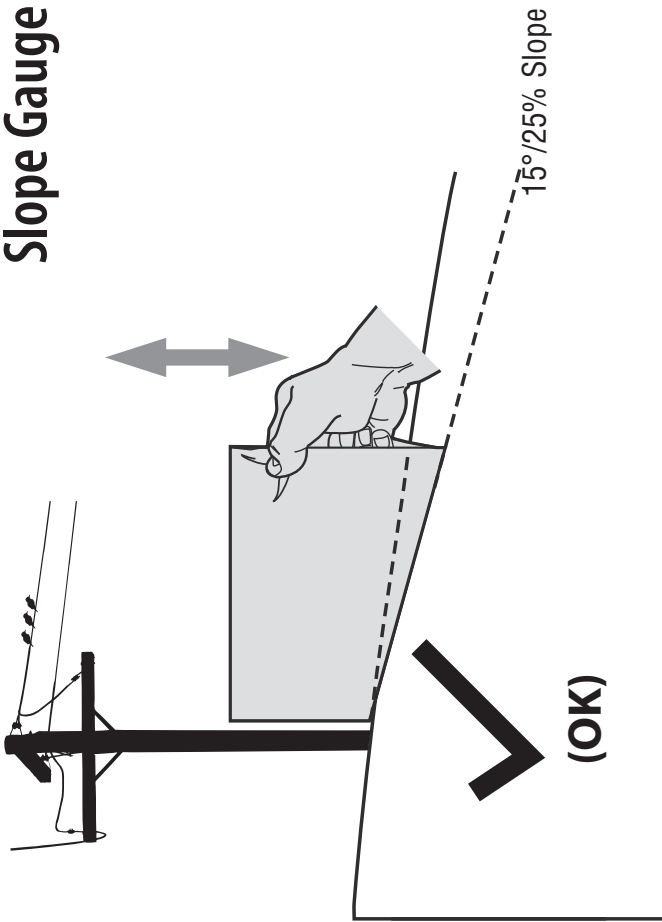


Figure 1

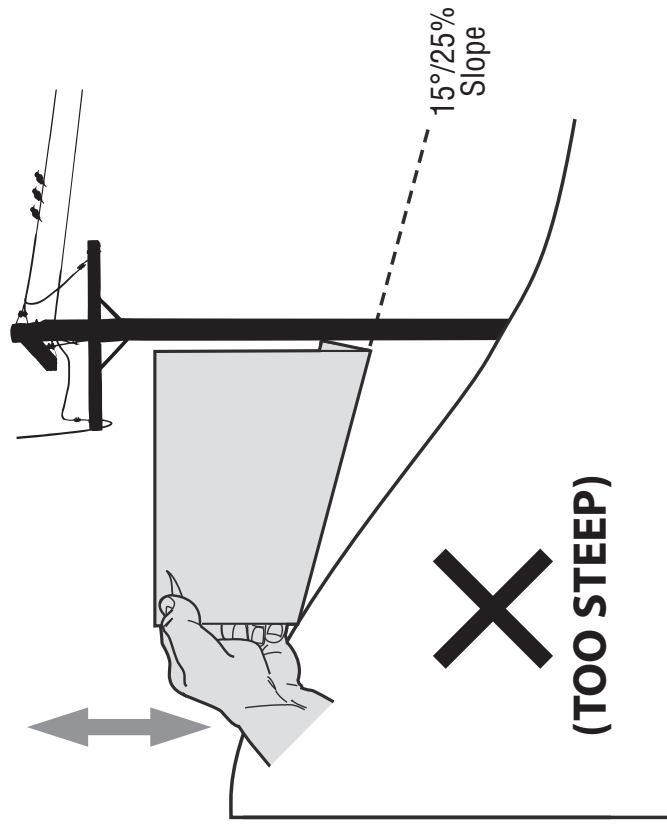


Figure 2

*15°/25% dashed line*

### USE THIS SLOPE GAUGE TO DETERMINE IF A SLOPE IS TOO STEEP FOR SAFE OPERATION!

To check the slope, proceed as follows:

1. Remove this page and fold along the dashed line.
2. Locate a vertical object on or behind the slope (e.g. a pole, building, fence, tree, etc.)
3. Align either side of the slope gauge with the object (See Figure 1 and Figure 2).
4. Adjust gauge up or down until the left corner touches the slope (See Figure 1 and Figure 2).
5. If there is a gap below the gauge, the slope is too steep for safe operation (See Figure 2 above).



**WARNING!** Slopes are a major factor related to tip-over and roll-over accidents which can result in severe injury or death.

Do not operate machine on slopes in excess of 15 degrees. All slopes require extra caution. If you cannot back up the slope or if you feel uneasy on it, do not mow it. Always mow up and down slopes, never across the face of slopes.

## Thank You

Thank you for purchasing this product. It was carefully engineered to provide excellent performance when properly operated and maintained.

Please read this entire manual prior to operating the equipment. It instructs you how to safely and easily set up, operate and maintain your machine. Please be sure that you, and any other persons who will operate the machine, carefully follow the recommended safety practices at all times. Failure to do so could result in personal injury or property damage.

All information in this manual is relative to the most recent product information available at the time. Review this manual frequently to familiarize yourself with the machine, its features and operation. Please be aware that this Operator's Manual may cover a range of

product specifications for various models. Characteristics and features discussed and/or illustrated in this manual may not be applicable to all models. We reserve the right to change product specifications, designs and equipment without notice and without incurring obligation.

If applicable, the power testing information used to establish the power rating of the engine equipped on this machine can be found at [www.opei.org](http://www.opei.org) or the engine manufacturer's web site.

If you have any problems or questions concerning the machine, phone your local authorized service dealer or contact us directly. We want to ensure your complete satisfaction at all times.

Throughout this manual, all references to *right* and *left* side of the machine are observed from the operating position.

## Contents of Crate

- |                      |                         |                                |
|----------------------|-------------------------|--------------------------------|
| • Tractor (1)        | • Operator's Manual (1) | • Engine Operator's Manual (1) |
| • Hood Topper (1) †  | • Dash Cap (1) †        | • Steering Wheel Asm. (1) †    |
| • Front Bumper (1) † | • Hood Collar (1) †     | • Hood Plenum (1) †            |
| • Hardware Bag       |                         |                                |

† — If Equipped

**Note:** This Operator's Manual covers several models. Tractor features may vary by model. Not all features in this manual are applicable to all tractor models and the tractor depicted may differ from yours.

**Note:** All references in this manual to the left or right side and front or back of the tractor are from the operating position only. Exceptions, if any, will be specified.

## Tools Required

- 5/16" wrench and/or socket
- 5/8" wrench and/or socket
- 1/2" wrench and/or socket
- 7/16" wrench and/or socket
- Phillips screwdriver
- Standard screwdriver

## Tractor Preparation

### Manually Moving the Tractor

#### CAUTION

Never tow your tractor. Towing the tractor with the rear wheels on the ground may cause severe damage to the transmission.

1. Engage the transmission bypass rod to move the tractor manually without starting it. The transmission bypass rod is located on the rear of the tractor, on the frame. Engage the bypass rod by pulling out. See Figure 2-1.

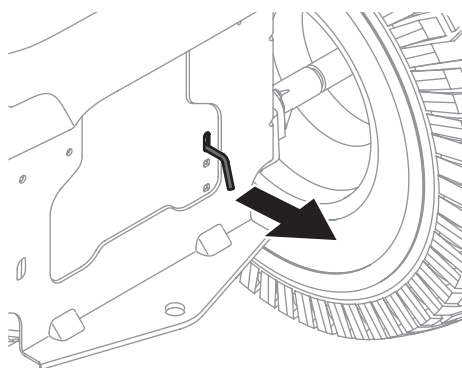


Figure 2-1

**Note:** If the tractor will not move or does not move freely when pushing check if the bypass lever is fully open or the brake is engaged.

**Note:** The transmission will NOT engage when the hydrostatic bypass rod is pulled out. Return the rod to its normal position prior to operating the tractor. If the tractor will not move when pushing on the forward/reverse pedals, or moves slowly, check to see if the bypass valve is on.

2. Disengage the bypass rod by pushing the rod back in after moving the tractor. See Figure 2-1.

### Install Operator's Seat (If necessary)

#### WARNING

Before operating the tractor, make sure the seat is engaged in the seat-stop. Engage the parking brake. Stand behind the machine and pull back on seat until it clicks into place.

To install the seat proceed as follows:

1. **Note:** The seat is shipped with the seat switch and seat pan attached.
  1. Cut any straps securing the seat assembly to the tractor. Remove any packing material.
  - Note:** Be careful not to cut the wiring harness connecting the seat and the seat switch.

2. Remove the two shoulder bolts (a) and flange lock nuts (b) in the seat pan as shown in Figure 2-2.

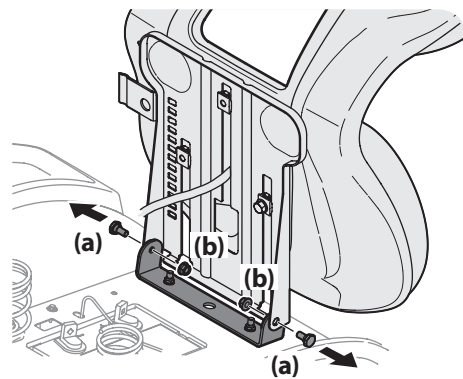


Figure 2-2

3. Rotate the seat into position and slide a Phillips screwdriver through one of the seat-securing holes and seat bracket for alignment.

- Then with the previously removed shoulder bolts (a) and flange lock nuts (b) secure one side of the seat and seat bracket. While supporting the seat, remove the Phillips screwdriver and secure the other side of the seat. Be careful not to crimp or damage the wire harness while installing the seat. See Figure 2-3.

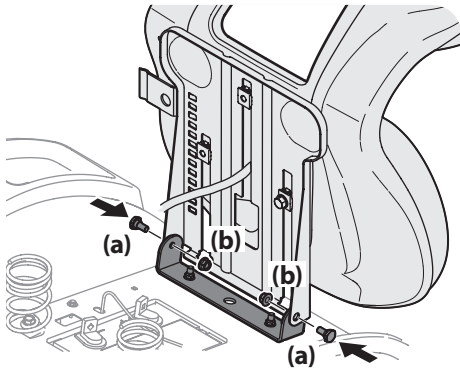


Figure 2-3

- Using the harness clip attached to the harness, secure the excess wire to the fender by snapping the harness clips in place as shown in Figure 2-4.

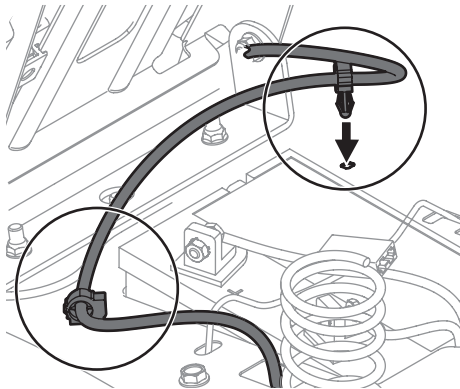


Figure 2-4

### Lower Deck Discharge Chute Deflector

#### ⚠ WARNING

Never operate the mower deck without the chute deflector installed and in the down position.

- Check the mower deck for a shipping brace that may be holding the chute deflector upward for shipment. If the brace is present, it must be removed before operating the tractor. Holding the chute deflector fully upward, remove the shipping brace. Lower the chute deflector and discard the shipping brace. See Figure 2-5.

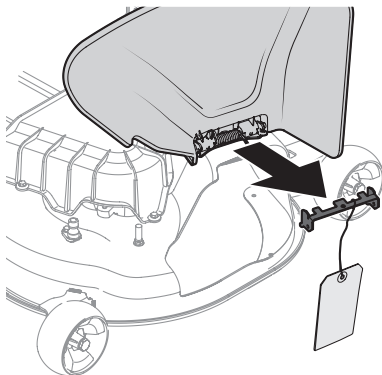


Figure 2-5

### Installing the Hood Collar (If necessary)

There are three (3) alignment posts (a) on the hood collar (b) that line up with corresponding alignment holes (c) in the hood (d). See Figure 2-6.

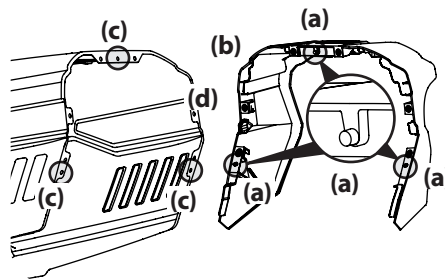


Figure 2-6

Use these alignment points to properly position the hood collar (a) and then secure it in place with the six hex bolts (b) provided in the hardware bag. See Figure 2-7. Tighten the hex bolts to 102-124 in-lbs.

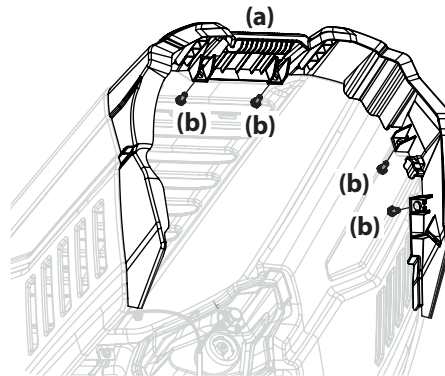


Figure 2-7

### Installing the Snap-On Hood Topper (If necessary)

To install the snap-on hood topper (a), line up the holes on the hood topper (a) up with the tabs (b) in the hood frame as shown in Figure 2-8. Insert the tabs (b) into the hood topper and pull back to lock into place.

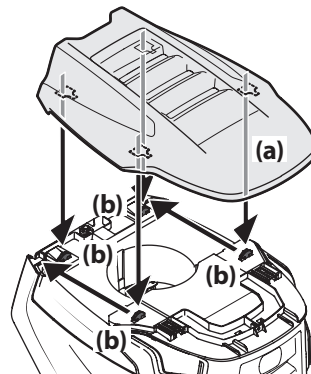


Figure 2-8

Once the hood topper is in place, the two locking tabs (a) near the rear of the hood need to be pushed upward to lock the hood topper in place. See Figure 2-9.

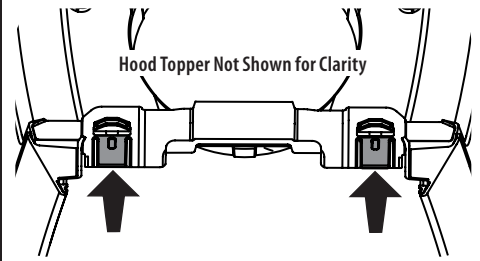


Figure 2-9

### Installing the Screw-On Hood Topper (If necessary)

**Note:** Be careful not to damage the headlight harness when installing the screw-on hood topper.

Set the hood topper up against the top of the hood with the hood open, and align the holes on the hood.

Secure the screw-on hood topper (a) from below, hand-tighten the screws (b) on the rear half of the hood and then snug them. See Figure 2-10.

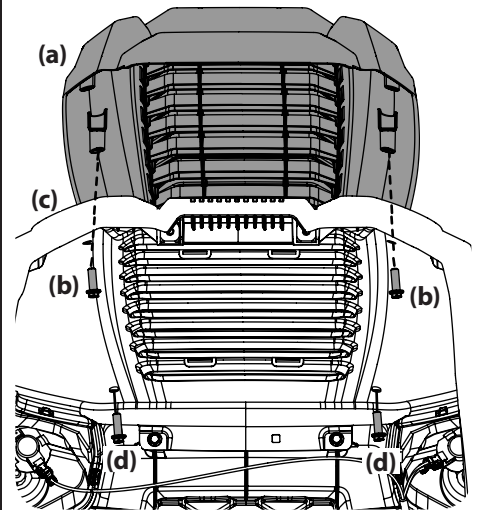


Figure 2-10

With the rear screws in place, align the holes in the hood topper (a) with the holes in the hood (c) and secure in place with remaining two screws (d). See Figure 2-10.

Tighten all four screws to 16-24 in-lbs.

### Installing the Plenum (If necessary)

**Note:** Be careful not to damage the headlight harness when installing the plenum.

To install the plenum (a) onto the hood (b), first insert the rear tabs (c) as shown in Figure 2-11.

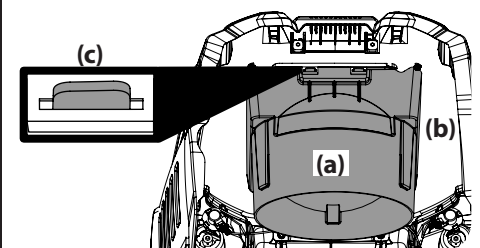


Figure 2-11



With the rear tabs installed, insert the front tabs (a) on the plenum (b) as shown in Figure 2-12.

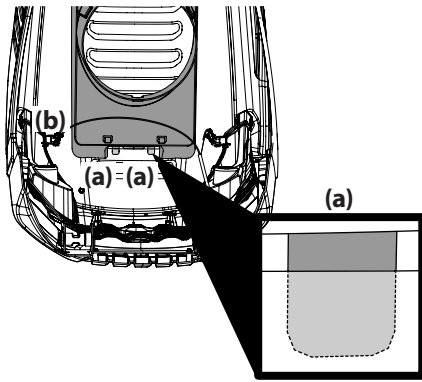


Figure 2-12

**Note:** The rear tabs fit into a recessed area on the top of the hood. They slide up from under the hood and into these recessed areas.

Push up on the bottom of the plenum to make sure that the plenum is securely in place.

Secure the headlight harness (a) into the two guides (b) on the front of the plenum. See

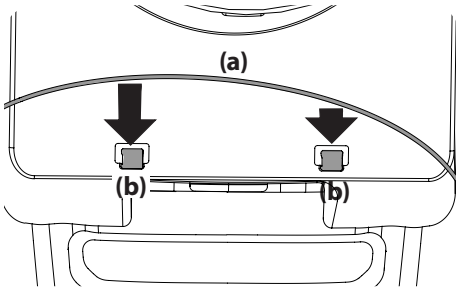


Figure 2-13

### Installing the Dash Cap (If necessary)

To install the dash cap (a), line up the tabs (b) on the dash cap (a) with the holes in the upper dash as shown in Figure 2-14. Slide the tabs (b) into the holes in the upper dash and push forward (c) on the dash cap (a) to lock into place.

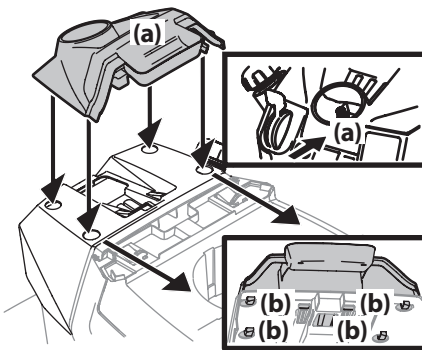


Figure 2-14

**Note:** Be sure to press on the lower part of the dash cap (a) facing the operator position to ensure the lower tabs on the dash cap are in place.

### Installing the Steering Wheel (If necessary)

The hardware for attaching the steering wheel has been packed within the steering wheel, beneath the steering wheel cap. Carefully pry off the steering wheel cap and remove the hardware.

**IMPORTANT!** Do not use impact tools to install or remove the steering wheel. Doing so may cause damage to critical power steering components (if so equipped).

1. With the wheels of the tractor pointing straight forward, align the steering wheel (a) by using the center-line (b) on the front of the steering wheel (a) pointing straight ahead and the flat section (c) of the steering wheel (a) facing toward the seat, place the steering wheel (a) over the steering shaft (d). See Figure 2-15.

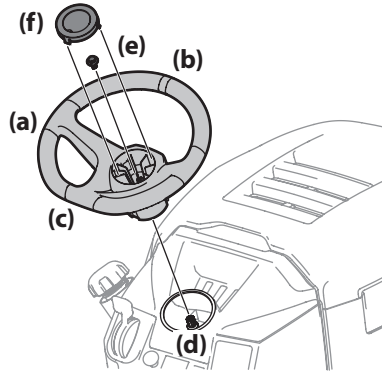


Figure 2-15

2. Secure the steering wheel (a) with the hex bolt (e) from under the steering wheel cap (f) and torque to 18-22 ft.-lbs.
3. Place the steering wheel cap (f) over the center of the steering wheel (a) and push downward until it "clicks" into place.

**Note:** The hex bolt (e) securing the steering wheel (a) has thread locker applied to it, so if it is removed, it is recommended that the hex bolt (a) be replaced or thread lock re-applied.

### Installing the Front Bumper (If necessary)

The hardware for attaching the front bumper is shipped installed into the bumper.

1. Remove the four hex screws (a) from the bumper (b).
2. Position the bumper brackets to the *inside* of the tractor's frame and secure it in place with the four hex flange screws (a). See Figure 2-16.

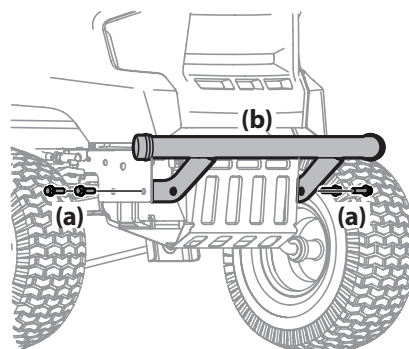


Figure 2-16

### Installing the FastAttach™ Brush Guard (if Equipped)

#### ⚠ WARNING

Disengage the PTO, engage the brake lock, and stop the tractor engine before performing any preparation procedures. Place the tractor on a firm and level surface before beginning installation or removal procedures.

#### ⚠ WARNING

The exhaust system and surrounding areas are HOT. To avoid personal injury, allow the tractor to cool before beginning any brush guard installation or removal procedures.

3. Align the brush guard assembly with the FastAttach™ brackets and push assembly together. See Figure 2-17.

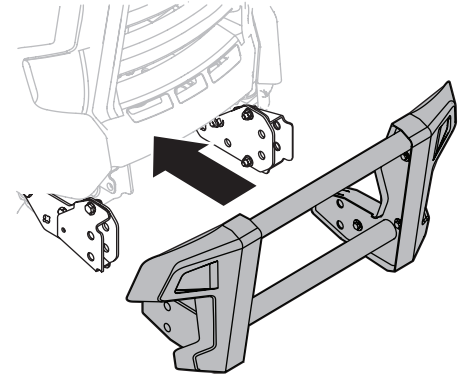


Figure 2-17

4. Install the pins on the right and left side of brush guard and then secure with two cotter pins found in the hardware pack. See Figure 2-18.

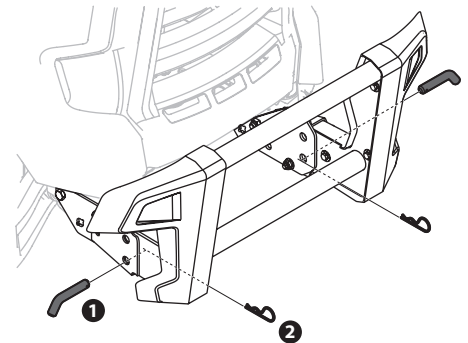


Figure 2-18

**Note:** Pulling up lightly on the brush guard may make installation of the pins easier.

## Adjusting the Seat

To adjust the position of the seat, lift the seat adjustment lever up. Slide the seat forward or rearward to the desired position; then release the adjustment lever. Make sure seat is locked into position before operating the tractor. See Figure 2-19.

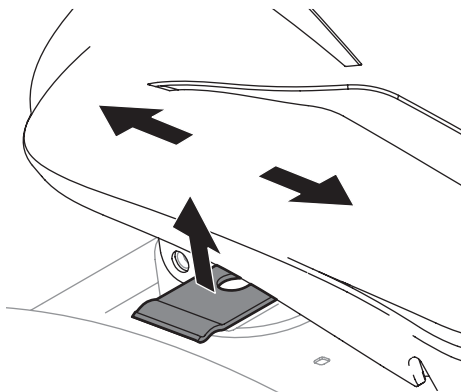


Figure 2-19

## Connecting the Battery Cables

### ▲ WARNING

California **PROPOSITION 65** Battery posts, terminals, and related accessories contain lead and lead compounds, chemicals known to the State of California to cause cancer and reproductive harm. Wash hands after handling.

### ▲ CAUTION

When attaching battery cables, always connect the **POSITIVE (Red)** wire to its terminal first, followed by the **NEGATIVE (Black)** wire.

For shipping reasons, both battery cables on your equipment may have been left disconnected from the terminals at the factory. To connect the battery cables, proceed as follows:

**Note:** The positive battery terminal is marked Pos. (+). The negative battery terminal is marked Neg. (-).

1. Remove the plastic cover, if present, from the positive battery terminal and attach the red cable to the positive battery terminal (+) with the bolt (a) and hex nut (b). See Figure 2-20.

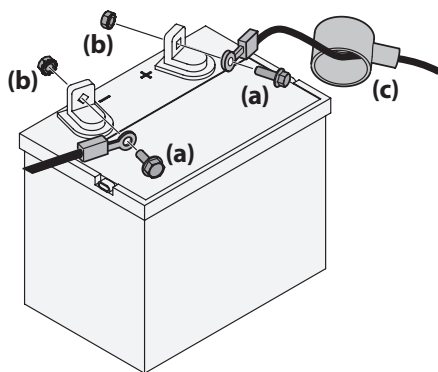


Figure 2-20

2. Position the red rubber boot (c) over the positive battery terminal to help protect it from corrosion.

3. Remove the plastic cover, if present, from the negative battery terminal and attach the black cable to the negative battery terminal (-) with the bolt (a) and hex nut (b). See Figure 2-20.

**Note:** If the battery is put into service after the date shown on top/side of battery, charge the battery as instructed in the Product Care section on page 8 prior to operating the tractor.

## Checking Tire Pressure

### ▲ WARNING

Equal tire pressure should be maintained at all times. Refer to the tire sidewall for proper pressure.

The tires on your tractor may be over-inflated for shipping purposes. Reduce the tire pressure before operating the tractor. Check the sidewall of tire for maximum p.s.i.

**Note:** Equal tire pressure is critical for level cutting deck performance.

## Setting the Deck Wheels

### ▲ WARNING

Keep hands and feet away from the discharge opening of the cutting deck.

**Note:** The deck wheels are an anti-scalp feature of the deck and are not designed to support the weight of the cutting deck.

Move the tractor on a firm and level surface, preferably pavement, and proceed as follows:

1. Check the tire pressure, make sure the pressure is correct and equal on all tires.
2. Make sure the deck is level, both front-to-back and side-to-side. See the Product Care section for deck leveling information and instructions.
3. Select the height position of the cutting deck by placing the deck lift lever in the normally desired mowing height setting.
4. Check the wheels for contact or excessive clearance with the surface below. The deck wheels should have between  $\frac{1}{4}$ " and  $\frac{1}{2}$ " clearance above the ground. Proceed as follows to adjust the wheels:
  - a. Raise the deck lift handle to its highest setting.
  - b. Remove the front (a) and rear (b) deck wheels by removing the flange lock nuts (c) and shoulder bolts (d) that secure them to the deck. See Figure 2-21.

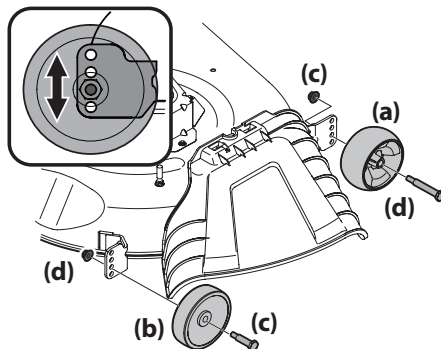


Figure 2-21

- c. Place the deck lift lever in the desired mowing height setting.
- d. Reinsert the shoulder bolt (with each deck wheel) into the index hole that leaves approximately  $\frac{1}{2}$ -inch between the bottom of the wheel and the pavement. Tighten the flange lock nut and shoulder bolt to between 25-30 ft-lbs using a torque wrench.

**Note:** Refer to Adjusting the Deck in the Product Care section of this manual for more detailed instructions regarding various deck adjustments.

## Gas & Oil

The fuel tank is located at the outer/left of the dash and holds 3 gallons of gas (EFI tractors hold 2.5 gallons). Remove the fuel cap by turning it counter-clockwise. Use only clean, fresh (no more than 30 days old), unleaded gasoline. Fill the tank no higher than the bottom of the fill neck to allow space for fuel expansion.

### ▲ WARNING

Use extreme care when handling gasoline. Gasoline is extremely flammable and the vapors are explosive. Never fuel the machine indoors or while the engine is hot or running. Extinguish cigarettes, cigars, pipes and other sources of ignition.

**Note:** Your tractor is shipped with oil in the engine. However, you **MUST** check the oil level before operating. See the Product Care section for instructions on checking, adding and changing oil.

### ▲ CAUTION

Always check the engine oil level before each use as instructed in the engine operator's manual. Add oil as necessary. Failure to do so may result in serious damage to your engine.

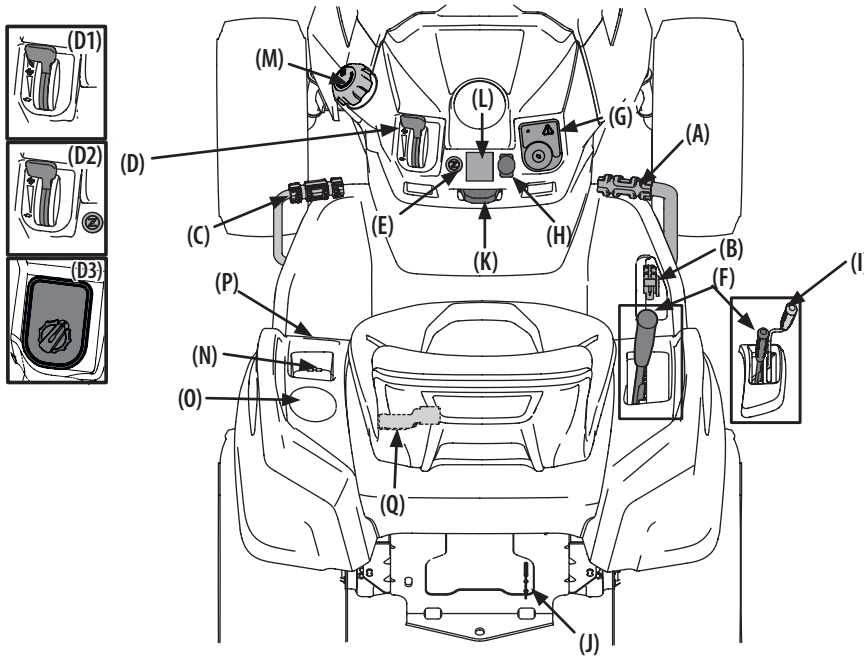


Figure 3-1

**Note:** This Operator's Manual covers several models. Tractor features may vary by model. Not all features in this manual are applicable to all tractor models and the tractor depicted may differ from yours.

**Note:** References to LEFT, RIGHT, FRONT, and REAR indicate that position on the tractor when facing forward while seated in the operator's seat.

**⚠ WARNING**

Read and follow all safety rules and instructions in this manual, including the entire Operation section, before attempting to operate this machine. Failure to comply with all safety rules and instructions may result in personal injury.

### Forward Drive Pedal (A)

The forward drive pedal is located on the right side of the machine, along the running board. Press the forward drive pedal forward to cause the tractor to travel forward. Ground speed is also controlled with the forward drive pedal. The further forward the pedal is pivoted, the faster the tractor will travel. The pedal will return to its original/neutral position when it's not pressed.

### Reverse Drive Pedal (B)

The reverse drive pedal is located on the right side of the tractor along the running board. Ground speed is also controlled with the reverse drive pedal. The further downward the pedal is pivoted, the faster the tractor will travel. The pedal will return to its original/neutral position when it's not pressed.

### Brake Pedal (C)

The brake pedal is located on the left side of the tractor, along the running board. The brake pedal can be used for stopping the tractor or setting the parking brake.

**Note:** The brake pedal must be fully depressed to activate the safety interlock switch when starting the tractor.

### Throttle/Choke Control Lever, Throttle Control or Electronic Governor Control

#### Throttle/Choke Control Lever (If equipped) (D1)

The throttle/choke control lever is located on the left side of the tractor's dash panel. This lever controls the speed of the engine and, when pushed all the way forward, past the detent position closes the choke for cold starting. When set in a given position, the throttle will maintain a uniform engine speed.

**Note:** When operating the tractor with the cutting deck engaged, be certain that the throttle/choke control is always in the FAST position.

#### Throttle Control (If equipped) (D2)

The throttle control is located on the left side of the tractor's dash panel. When set in a given position, a uniform engine speed will be maintained.

Push the throttle control handle forward to increase the engine speed. The tractor is designed to operate with the throttle control in the FAST position (full throttle) when the mower deck is engaged.

Pull the throttle control handle rearward to decrease the engine speed.



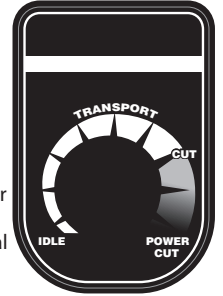
### Electronic Governor Control (If equipped) (D3)

The electronic governor control is located on the left side of the tractor's dash panel. When set in a given position, a uniform engine speed will be maintained.

The electronic governor control has various inputs for maintaining engine speed. Use "CUT" setting for optimal cutting performance in normal cutting conditions. Use "POWER CUT" setting for optimal cutting performance in heavy cutting conditions.

**Note:** If the tractor is equipped with an Electronic Governor Control the machine can be started at any speed setting along the dial and will automatically adjust to the desired engine speed setting.

**Note:** It may take a few seconds after starting for the engine to adjust to the proper engine speed. This is normal.



### Choke Control (If equipped) (E)

The choke control is located on the dash panel to the right of the throttle/choke or throttle control and controls the position of the engine choke. Pull the knob up to choke the engine; push the knob in/down to open the choke.



### Deck Lift Lever (F)

#### Electric PTO tractors



#### Manual PTO tractors



The lift lever is located in the right fender and is used to raise and lower the deck. Pull the handle to the left out of the index notch and push downward to lower the deck, or pull upward to raise the deck. When the desired height is attained, move the lift handle to the right until fully in the index notch.

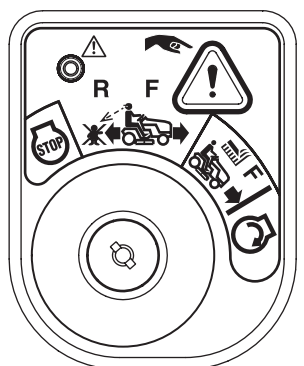
### Ignition Module (G)


#### Turn-Key Start

**⚠ WARNING**


Never leave a running machine unattended. Always disengage PTO, set parking brake, stop engine and remove key to prevent unintended starting

To start the engine, insert the key into the ignition switch and turn clockwise to the START position. Release the key into the NORMAL MOWING MODE position once the engine has fired.



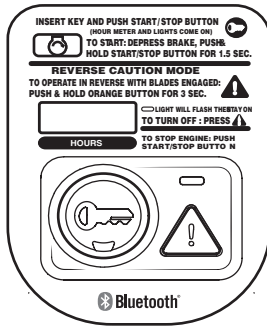
To stop the engine, turn the ignition key counterclockwise to the STOP  position.

**⚠ CAUTION**

Prior to operating the tractor, refer to both Safety Interlock Switches and Starting The Engine in the Operation section of this manual for detailed instructions regarding the Ignition Switch Module and operating the tractor in REVERSE CAUTION MODE .

### PBS (Push Button Start)/Service Minder & Hour Meter w/ Bluetooth® (If equipped)

PBS tractors come with or without Bluetooth®. If equipped, connect your Bluetooth® enabled LCD service minder & hour meter to your smartphone by downloading the App for your Bluetooth® capable Android or iOS device.



It is an innovative new way to interact with your outdoor power equipment directly through your mobile device.

The app's automated maintenance dashboard and log will help you keep your machine running at peak performance and protect your investment by tracking total hours across the lifetime of your equipment.


Receive alert notifications when it's time to perform essential maintenance tasks. Your dashboard provides real time monitoring and indicates when it's time for you to check or change the oil, air filter, blades or battery. It also enables you to locate and contact service centers, access step-by-step instructions to perform routine maintenance and purchase replacement parts directly from your mobile device.

Simply download the app and follow the quick step-by-step instructions on how to sync your mobile device with your equipment.

**⚠ WARNING**


Never leave a running machine unattended. Always disengage PTO, set parking brake, stop engine and remove the key.

To start the engine, insert the ignition key and depress for 1.5 seconds until the engine starts cranking. If the engine does not start after 5 seconds, a 3 second delay will occur. Release the key and press again to attempt to start.

**Note:** If the REVERSE CAUTION MODE  button is depressed during starting, the starting sequence is aborted and needs to be restarted.

To stop the engine, press ignition key or remove the ignition key.

**⚠ CAUTION**

Prior to operating the tractor, refer to both Safety Interlock Switches and Starting The Engine in the Operation section of this manual for detailed instructions regarding the Ignition Switch Module and operating the tractor in REVERSE CAUTION MODE .

When the ignition key is inserted and depressed for less than 1.5 seconds, the LCD Service Minder & Hour Meter will briefly display the battery voltage, followed by the tractor's accumulated hours.

**Note:** Hours of tractor operation are recorded only when the engine is running.

The LCD Service Minder will remind the operator of maintenance intervals for changing the engine oil, air filter service, low engine oil and low battery warnings.

### Change Oil

The LCD will display the letters "CHG", followed by the letters "OIL" for two hours after the meter reaches 50 hours. This oil service minder interval will occur every 50 hours. Before the interval expires, change the engine oil as instructed in the Engine Operator's Manual.

### Low Oil (If equipped)

The letters "LO" followed by the letters "OIL", then followed by the letters "PRESSURE" will indicate the tractor is low on oil. When an engine is not running and immediately after the engine is started the oil pressure may be low. This can trigger the "LO" "OIL" text. This is normal. If the low oil indication persists stop the tractor immediately and check the engine oil level as instructed in the Engine Operator's Manual.

**Note:** The "LOW OIL" function only works if the engine is equipped with an oil pressure switch.

### Low Battery/High Battery

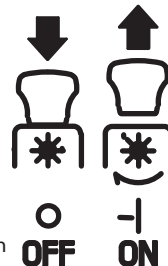
At startup, the battery voltage is briefly displayed then changes to accumulated hours. The battery indicator will display, followed by the letters "LO" will display followed by the letters "BATT" is displayed on the LCD when the voltage drops below 11.0 volts. When this occurs, the battery is in need of a charge or the engine's charging system is not generating sufficient amperage. Charge the battery as instructed in the Product Care section of this manual or have the charging system checked by your local service dealer.

At startup, the battery voltage is briefly displayed then changes to accumulated hours. The battery indicator will display, followed by the letters "HI" will display followed by the letters "BATT" is displayed on the LCD when the voltage raises above 16.0 volts. When this occurs, have the charging system checked by your local service dealer.

### Power Take-Off (PTO) Switch (Electric PTO tractors) (H) PTO

The PTO switch is located on the dash panel to the right of the LCD Service Minder & Hour Meter (If equipped).

Activating the PTO engages power to the cutting deck or other (separately available) attachments. See the Operation section for information and instructions on using the PTO.



### PTO/Blade Engage Handle (Manual PTO tractors) (I)



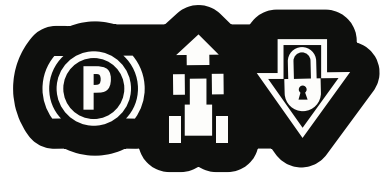
The PTO/blade engage handle is located on the right fender. Activating the PTO engages power to the cutting deck or other (separately available) attachments. See the Operation section for information and instructions on using the PTO.


### Transmission Bypass Rod (J)

The transmission bypass rod is located at the rear of the tractor on the lower right section of the frame.

When engaged, the rod opens a bypass within the hydrostatic transmissions, which allows the tractor to be pushed short distances by hand. Refer to the Assembly & Set-Up section for instructions on using the bypass feature.

### Park Brake/Cruise Control Lever (K)



Located in the center of the tractor's dash panel below the steering wheel, the park brake/cruise control  lever is used to engage the parking brake and the cruise control. Refer to the Driving the Tractor section of this manual for detailed instructions regarding the parking brake.

**Note:** The parking brake must be set if the operator leaves the seat with the engine running or the engine will automatically shut off.

**Note:** Cruise control can NOT be engaged at the tractor's fastest ground speed.

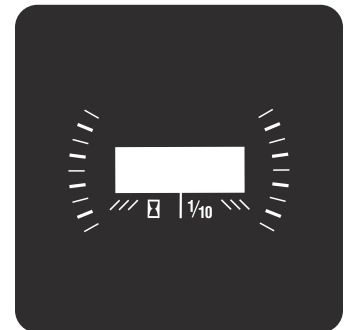
**⚠ WARNING**


Never leave a running machine unattended. Always disengage the PTO, set the parking brake, stop the engine and remove the key to prevent unintended starting.

### Hour Meter (L)

#### LCD Service Minder & Hour Meter (If equipped)

When the ignition key is rotated out of the STOP position but not into the START position, the LCD Service Minder and Hour Meter will briefly display the battery voltage, followed by the tractor's accumulated hours.



**Note:** When the ignition key is out of the STOP position the hourglass  symbol is illuminated/blinks to indicate it is recording the hours of tractor operation, regardless of whether the engine is started.

The LCD Service Minder will remind the operator of maintenance intervals for changing the engine oil, air filter service, low engine oil and low battery warnings.

### Change Oil

The LCD will display the letters "CHG", followed by the letters "OIL", followed by the letters "SOON", then finally followed by the meter's accumulated time. "CHG/OIL/SOON/TIME" will alternate on the display for 7 minutes after the meter reaches 50 hours. This oil service minder interval will occur every 50 hours. Before the interval expires, change the engine oil as instructed in the Engine Operator's Manual.

### Low Oil (If equipped)

The letters "LO" followed by the letters "OIL", then followed by the meter's accumulated time will indicate the tractor is low on oil. When an engine is not running and immediately after the engine is started the oil pressure may be low. This can trigger the "LO" "OIL" text. This is normal. If the low oil indication persists stop the tractor immediately and check the engine oil level as instructed in the Engine Operator's Manual.

**Note:** The "LOW OIL" function only works if the engine is equipped with an oil pressure switch.

### Low Battery

At startup, the battery voltage is briefly displayed then changes to accumulated hours. The letters "LO" will display followed by the letters "BATT" and then followed by the meter's accumulated time. "LO/BATT/TIME" is displayed on the LCD when the voltage drops below 11.5 volts. When this occurs, the battery is in need of a charge or the engine's charging system is not generating sufficient amperage. Charge the battery as instructed in the Service section of this manual or have the charging system checked by your local service dealer.

### Air Filter Service

The letters "CLN" will display, followed by the letters "AIR", followed by "FILT", then followed by the meter's accumulated time. "CLN/AIR/FILT/TIME" will alternate on the display for 7 minutes after the meter reaches 50 hours. This air filter service minder time interval will be every 50 hours. On intervals that are common with oil service, the oil message will be displayed first followed by the air filter message.

### LCD Service Minder & Hour Meter w/ Bluetooth® (If equipped)

Connect your Bluetooth® enabled LCD service minder & hour meter to your smartphone by downloading the App for your Bluetooth® capable Android or iOS device.



The app's automated maintenance dashboard and log will help you keep your machine running at peak performance and protect your investment by tracking total hours across the lifetime of your equipment.

Receive alert notifications when it's time to perform essential maintenance tasks. Your dashboard provides real time monitoring and indicates when it's time for you to check or change the oil, air filter, blades or battery. The App also enables you to locate and contact service centers, access step-by-step instructions to perform routine maintenance and purchase replacement parts directly from your mobile device.

Simply download the app and follow the quick step-by-step instructions on how to sync your mobile device with your equipment.

### Fuel Tank Cap (M)

The fuel tank cap is located to the left of the dash. Turn the fill cap to remove. The fuel cap is tethered to the tractor to prevent its loss. Do not attempt to remove the cap from the tractor. Fill tank to the bottom of the filler neck, allowing some space in the tank for fuel expansion. Do not overfill the tank.

Push the cap downward on the fuel tank fill neck and turn clockwise until it clicks to tighten. Always re-install the fuel cap tightly onto the fuel tank after removing.

#### ▲ WARNING

Never fill the fuel tank when the engine is running. If the engine is hot from recently running, allow to cool for several minutes before refueling. Highly flammable gasoline could splash onto the engine and cause a fire.

### Storage Tray (N)

The storage tray is located to the left of the operator's seat.

### Cup Holder (O)

The cup holder is located to the left of the operator's seat.

### Differential Lock Pedal (If equipped) (P)

The differential lock pedal is located on the left of the tractor to the rear of the running board near the seat box. Activating the differential lock increases traction by maintaining equal wheel speed on the rear tires. See the Differential Lock section for more information on using the differential lock.

### Seat Adjustment Lever (Q)

The seat adjustment lever is located below the left of the seat. The lever allows for adjustment forward or backward of the operator's seat. Refer to the Assembly & Set-Up section for instructions on adjusting the seat position.

### Operation


#### ▲ WARNING

Avoid serious injury or death. Go up and down slopes, not across. Avoid sudden turns. Do not operate unit where it could slip or tip. If machine stops going uphill, stop PTO and back down the hill safely. Keep safety devices (guards, shields and switches) in place and working. Remove objects that could be thrown by the blades. Know location and function of all controls. Be sure the blades and the engine are stopped before placing hands or feet near blades. Before leaving operator's position, disengage PTO, engage brake lock, shut off and remove key.

### Safety Interlock Switches

This tractor is equipped with a safety interlock system for the protection of the operator. If the interlock system should ever malfunction, do not operate tractor. Contact your service dealer.

- The safety interlock system prevents the engine from cranking or starting unless the parking brake is engaged, and the PTO (Blade Engage) knob is in the disengaged (OFF) position.

- The engine will automatically shut off if the operator leaves the seat before engaging the parking brake.
- The electric PTO (Blade Engage) clutch will automatically shut off if the operator leaves the tractor's seat with the PTO (Blade Engage) knob in the engaged (ON) position, regardless of whether the parking brake is engaged.
- With the ignition key in the NORMAL MOWING  position, the electric PTO (Blade Engage) clutch will automatically shut off if the PTO (Blade Engage) knob is moved into the engaged (ON) position with the drive pedal in position for Reverse travel.

#### ▲ WARNING



Do not operate the tractor if the interlock system is malfunctioning. This system was designed for your safety and protection.

### Starting the Engine

**Note:** Refer to the Assembly & Set-up section of this manual for Gasoline and Oil fill-up instructions.


Continue below for turn-key ignitions, skip ahead to the PBS Ignition Section for Push-Button Start ignitions.

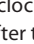

#### Turn-Key Ignition

- Insert the tractor key into the ignition module.
- Place the PTO/Blade Engage lever to OFF position.
- Engage the tractor's parking brake .
- Push the choke control (if equipped) upward into the choke on  position.

**Note:** If the engine is warmed up, it may not be necessary to place the choke control in the choke position.

- Move the throttle control lever to midway between the FAST  and SLOW  positions.

**Note:** When operating the tractor be certain that the throttle lever is always in the FAST  (rabbit) position. Operating with the throttle at less than full throttle may lead to shortened battery life.

- Turn the ignition key clockwise to the START  position. After the engine starts, release the key. It will return to the NORMAL MOWING  position.


#### ▲ CAUTION


Do NOT hold the key in the START  position for longer than ten seconds at a time. Doing so may cause damage to your engine's electric starter.

- After the engine starts, deactivate the choke control (if equipped).

**Note:** Do NOT leave the choke control (if equipped) on while operating the tractor. Doing so will result in a "rich" fuel mixture and cause the engine to run poorly.

## PBS Ignition

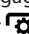


1. Place the PTO in the DISENGAGED (OFF) position.
2. Fully engage the tractor's brake.
3. Move the throttle into the FAST  position.
4. Insert the ignition key and press the ignition key.

**Note:** When operating the tractor be certain that the throttle lever is always in the FAST  position. Operating with the throttle at less than full throttle may lead to shortened battery life.


## Stopping the Engine

### ▲ WARNING

If you strike a foreign object, stop the engine and disconnect the spark plug wire(s). Thoroughly inspect the machine for any damage. Repair the damage before restarting and operating.

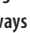
1. If the blades are engaged, place the PTO/ Blade Engage lever  in the OFF position.
2. Place the throttle control near the SLOW  position.
3. Turn the ignition key counterclockwise to the STOP  position or on PBS units, press or remove the ignition key.
4. Remove the key from the ignition module to prevent unintended starting.

## Reverse Caution Mode (Turn-Key)

The REVERSE CAUTION MODE  position of the ignition module allows the tractor to be operated in reverse with the blades (PTO) engaged.



**Note:** Mowing in reverse is not recommended.

### ▲ WARNING

Use extreme caution while operating the tractor in the REVERSE CAUTION MODE . Always look down and behind before and while backing. Do not operate the tractor when children or others are around. Stop the tractor immediately if someone enters the area.

To use the REVERSE CAUTION MODE :

**Note:** The operator MUST be seated in the tractor seat.

1. Start the engine as previously instructed.
2. Turn the key from the NORMAL MOWING  (a) position to the REVERSE CAUTION MODE  (b) position of the ignition module. See Figure 3-2.

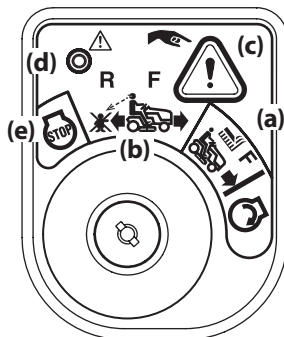








Figure 3-2

3. Press the REVERSE PUSH BUTTON  (c) at the top, right corner of the ignition module. The red indicator light (d) at the top, left corner of the ignition module will be ON while activated. See Figure 3-2.
4. Once activated (indicator light ON), the tractor can be driven in reverse with the cutting blades (PTO) engaged.
5. Always look down and behind before and while backing to make sure no children are around. After resuming forward motion, return key to the NORMAL MOWING  (a) position.

The REVERSE CAUTION MODE (b)  will remain activated until:


- a. The key is placed in either the NORMAL MOWING  (a) position or STOP  (e) position or
- b. The operator leaves the seat.

## Reverse Caution Mode (PBS)

The REVERSE CAUTION MODE  allows the tractor to be operated in reverse with the blades (PTO) engaged.



**Note:** Mowing in reverse is not recommended.

### ▲ WARNING

Use extreme caution while operating the tractor in the REVERSE CAUTION MODE . Always look down and behind before and while backing. Do not operate the tractor when children or others are around. Stop the tractor immediately if someone enters the area.

To use the REVERSE CAUTION MODE :

**Note:** The operator MUST be seated in the tractor seat.

1. Start the engine as instructed above.
2. Press the REVERSE CAUTION MODE  button and hold for 3 seconds. The indicator light will flash for 3 seconds and will stay on when the REVERSE CAUTION MODE  is activated. See Figure 3-3.

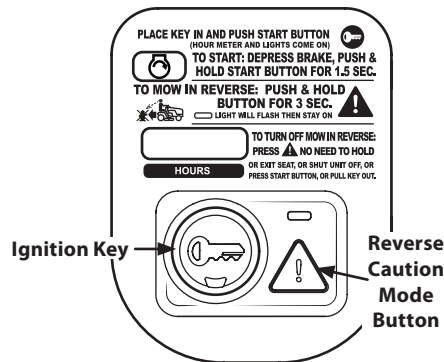






Figure 3-3


3. The indicator light above the REVERSE CAUTION MODE  button will be ON while activated. See Figure 3-3.
4. Once activated (indicator light ON), the tractor can be driven in reverse with the cutting blades (PTO) engaged.

5. Always look down and behind before and while backing to make sure no children are around. After resuming forward motion, press the REVERSE CAUTION MODE  button to return to NORMAL MOWING.
6. The REVERSE CAUTION MODE  will remain activated until:
  - a. The REVERSE CAUTION MODE  button is pressed or the ignition key is pressed or removed.
  - b. The operator leaves the seat (electric PTO)/the parking brake is set (manual PTO).

## Driving The Tractor

### ▲ WARNING

Avoid sudden starts, excessive speed and sudden stops.

1. Lightly press the brake pedal to release the parking brake. Move the throttle into the FAST  position.
2. To travel FORWARD, slowly press the forward drive pedal (a) forward until the desired speed is achieved. See Figure 3-4.

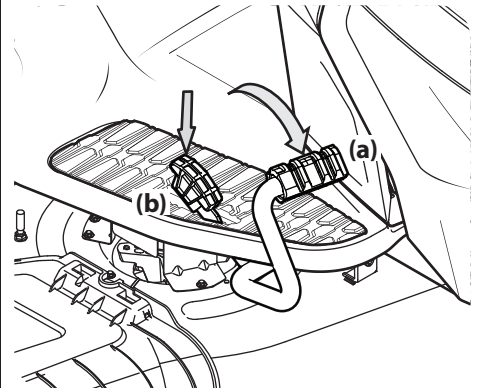


Figure 3-4

3. To travel in REVERSE, check that the area behind is clear then slowly depress the reverse drive pedal (b) until the desired speed is achieved. See Figure 3-4.

### ▲ CAUTION

Do NOT attempt to change the direction of travel when the tractor is in motion. Always bring the tractor to a complete stop before changing from forward to reverse or vice versa.

### ▲ WARNING

Do not leave the seat of the tractor without first placing the PTO in the DISENGAGED (OFF) position and engaging the parking brake. If leaving the tractor unattended, also turn the engine off and remove the ignition key.

## Driving On Slopes

Refer to the SLOPE GAUGE on page 6 to help determine slopes where you may operate the tractor safely.

### ⚠ WARNING

Do not mow on inclines with a slope in excess of 15 degrees (a rise of approximately 2-½ feet every 10 feet). The tractor could overturn and cause serious injury.

- Mow up and down slopes, NEVER across.
- Exercise extreme caution when changing direction on slopes.
- Watch for holes, ruts, bumps, rocks, or other hidden objects. Uneven terrain could overturn the machine. Tall grass can hide obstacles.
- Avoid turns when driving on a slope. If a turn must be made, turn down the slope. Turning up a slope greatly increases the chance of a roll over.
- Avoid stopping when driving up a slope. If it is necessary to stop while driving up a slope, start up smoothly and carefully to reduce the possibility of flipping the tractor over backward.

## Engaging the Parking Brake

**Note:** The parking brake must be set if the operator leaves the seat with the engine running or the engine will automatically shut off.

To set the parking brake:

To set the parking brake:

1. Press the brake pedal completely down with your left foot and hold it in that position.
2. Press down on the parking brake/cruise control lever and hold it in that position.
3. Remove your foot from the brake pedal.
4. Release pressure from the parking brake/cruise control lever.

After completing step 3, the brake pedal should remain in the down position. If it doesn't, the parking brake is *not* engaged. Repeat steps 1-4 to engage the parking brake.

To disengage the parking brake, lightly press the brake pedal.

### ⚠ WARNING

Never leave a running machine unattended. Always disengage PTO, set parking brake, stop engine and remove key to prevent unintended starting.

## Setting The Cruise Control

### ⚠ WARNING

Never engage the cruise control lever while traveling in reverse.

To set the cruise control:

1. Slowly press the forward drive pedal with your right foot until the desired speed is achieved.
2. Press down on the parking brake/cruise control lever and hold it in that position.
3. Remove your foot from the forward drive pedal.
4. Release pressure from the parking brake/cruise control lever.

After completing step 3, the forward drive pedal should remain in the down position and the tractor will maintain the same forward speed. If it doesn't, the cruise control is *not* engaged. Repeat steps 1-4 to engage the cruise control.

To disengage the cruise control, lightly press the forward drive pedal or the brake pedal.



**Note:** Cruise control can not be set at the tractor's fastest ground speed. If the operator should attempt to do so, the tractor will automatically decelerate to the fastest optimal mowing ground speed.

To change the direction of travel from forward to reverse when cruise control is engaged, press the brake pedal to disengage and bring the tractor to complete stop. Then slowly press the reverse drive pedal with the ball of your foot to travel in reverse.

## Using the Deck Lift Lever

To raise or lower the cutting deck, move the lift lever to the left, then place it in the notch best suited for your application.


## Operating the Headlights

On turn-key tractors the lamps are ON whenever the ignition key is rotated out of the STOP  position. The lamps turn OFF when the ignition key is moved to the STOP  position.

On PBS tractors The lamps are ON whenever the engine is on. If the ignition key is pressed for less than 1.5 seconds, the headlights will remain on for 15 seconds. The lamps turn OFF when the engine is turned OFF.

## Engaging the PTO (Electric PTO tractors)

Engaging the PTO transfers power to the cutting deck or other (separately available) attachments. To engage the PTO:

1. Move the throttle to the FAST  position.
2. Pull the PTO switch up/out into the engaged (ON) position. See Figure 3-5.

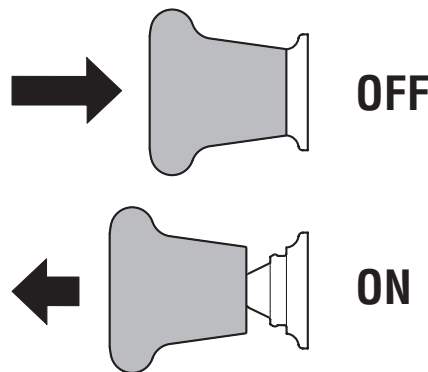




Figure 3-5

- Note:** When operating the tractor be certain that the throttle is always in the FAST  position. Operating with the throttle at less than full throttle may lead to premature battery wear and a poor quality cut.
3. To disengage the PTO, push the PTO switch down/in to the disengaged (OFF) position.

## Engaging the PTO (Manual PTO tractors)

Engaging the PTO transfers power to the cutting deck or other (separately available) attachments. To engage the PTO:

1. Move the throttle to the FAST  position.
2. Push the PTO handle forward into the engaged (ON) position. See Figure 3-6.

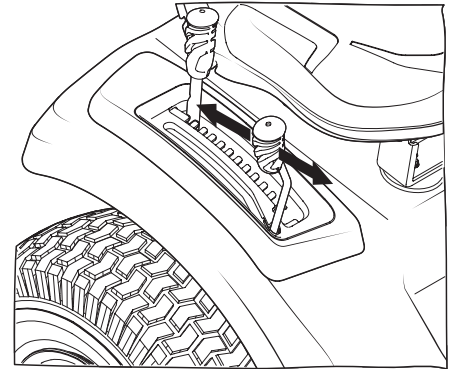



Figure 3-6

- Note:** When operating the tractor be certain that the throttle is always in the FAST  position. Operating with the throttle at less than full throttle may lead to premature battery wear and a poor quality cut.
3. To disengage the PTO, pull the PTO handle rearward into the disengaged (OFF) position.

## Using the Differential Lock (If equipped)

### ⚠ WARNING

When the differential lock is on, be sure to allow for a larger turning radius and greater steering effort.

### ⚠ WARNING

Engage the differential lock only when the vehicle is stationary. Do not use the differential lock when traveling downhill.

**Note:** The system should only be used when poor traction is encountered. It should be disengaged when traveling on solid surfaces.

In some instances, the tractor may be driven in slippery or low-traction situations and it may be necessary to activate the differential lock. To use the differential lock proceed as follows.

1. Stop the motion of the tractor.
2. Press down on the pedal to engage the differential lock.

**Note:** The differential lock only works while the pedal is pressed.

**Note:** Engagement may be delayed. The differential lock will engage when different wheel speeds are detected.

**Note:** Disengagement may be delayed. The differential lock will disengage when the rear wheel speeds allow it to release.

3. To disengage the differential lock, release the pedal.

	Before Each use	After First 5 Hours	Every 10 Hours	Every 25 Hours	Every 50 Hours	Every 100 Hours	Prior to Storing	See Engine Manual
Check/Clean Engine Intake Screens & Cooling Fans *	✓						✓	
Check/Clean Exhaust Manifold, Muffler Pipe & Muffler Shields *	✓						✓	
Check/Clean Hood/Dash Panel Louvers *	✓						✓	
Check/Clean Top & Underside of Deck, Under and Around Spindle Covers & Belt Area *	✓						✓	
Check/Clean Around Fuses, Wiring and Wiring Harnesses *	✓						✓	
Check/Clean Around Transmission, Axle and Fans *	✓						✓	
Check Engine Oil Level	✓							
Check Air Filter for Dirty	✓							
Clean Battery Terminals			✓				✓	
Grease All Lubrication Points				✓			✓	
Check Blades/Sharpen or Replace as Needed			✓				✓	
Check Tire Pressure			✓				✓	
Inspect & Lube Deck Wheels				✓			✓	
Check Deck Level/Pitch				✓			✓	
Check Belts & Pulleys for Damage/Wear					✓			
Check That All Hardware is in Place & Secure						✓		
Check Spark Plug Condition & Gap #						✓	✓	✓
Engine Break-In Oil Change #		✓						✓
Change Engine Oil #					✓		✓	✓
Replace Oil Filter					✓		✓	✓
Clean or Change Air Filter #					✓			✓
Replace Fuel Filter					✓			✓
Have Valve Lash Checked & Adjusted †								✓

\*-- Perform more often in dry conditions and/or when mulching

# -- Refer to engine operator's manual for instructions specific to your engine

† -- Have this item performed by an authorized service dealer



**Note:** This Operator's Manual covers several models. Tractor features may vary by model. Not all features in this manual are applicable to all tractor models and the tractor depicted may differ from yours.

**⚠ WARNING**

Before inspecting or cleaning always disengage the PTO, set the parking brake, stop the engine and remove the key to prevent unintended starting.

### Post-Operation Tractor Care

After each operation of the tractor, the following procedures should be implemented to extend the life of your tractor and ensure safe operating conditions.

**⚠ DANGER**

Failure to follow these recommendations may result in serious injury to yourself or others and may cause damage to the tractor.

### Cleaning the Underside of the Deck

#### Smart Jet

Your tractor's deck is equipped with a water port on its surface as part of its deck wash system.

Use the Smart Jet to rinse grass clippings from the deck's underside and prevent the buildup of corrosive chemicals. Complete the following steps AFTER EACH MOWING:

1. Drive the tractor to a level, clear spot on your lawn, near enough for your garden hose to reach.

**⚠ WARNING**


Make certain the tractor's discharge chute is directed AWAY from people, your house, garage, parked cars, etc.


2. Disengage the PTO, set the parking brake and stop the engine.
3. Thread the hose coupler (packaged with your tractor's Operator's Manual) onto the end of your garden hose.
4. Attach the hose coupler to the water port on your decks surface. See Figure 4-7.



Figure 4-7

**Note:** Make sure that the hose is not routed under the deck and is clear of all moving parts.

5. Turn the water on.
6. While sitting in the operator's position on the tractor, start the engine and place the throttle lever in the FAST  position.
7. Move the tractor's PTO into the engaged (ON) position.

8. Remain in the operator's position with the deck engaged for a minimum of two minutes, allowing the underside of the deck to thoroughly rinse.
9. Move the tractor's PTO into the disengaged (OFF) position.
10. Turn the ignition key to the STOP  position to turn the tractor's engine off.
11. Turn the water off and detach the hose coupler from the water port on your deck's surface.
12. After cleaning your deck with the Smart Jet system, return to the operator's position and engage the PTO. Keep the deck running for a minimum of two minutes, allowing the underside of the deck to thoroughly dry.

### Cleaning the Tractor

**⚠ WARNING**

If the tractor has been recently run, the engine, muffler and surrounding metal surfaces will be hot and can cause burns to the skin. Let the engine cool for at least five minutes. Exercise caution to avoid burns.

Your tractor should be cleaned after each use and under certain conditions, i.e. dry conditions and/or mulching situations, additional cleaning may be necessary.

One of the best ways to keep your tractor running efficiently and to reduce fire risk is to regularly remove debris buildup from the tractor. Follow the recommendations below and contact your authorized dealer with any questions.

- Allow the machine to cool in an open area before cleaning.
- Do not use water on any part of the tractor except the underside of the cutting deck. Doing so can cause damage to the tractor's spindle bearings, electrical system and engine, leading to premature failures. The use of compressed air and/or leaf blower will help keep the tractor clean.
- Clean under the hood. Exhaust manifold, around fuses, all wiring and harnesses, muffler pipe, muffler shield, engine intake screens and cooling fins, etc. See Figure 4-8.

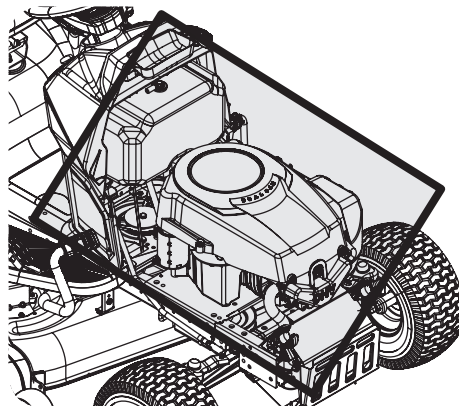


Figure 4-8

- Clean the top of the mower deck, under the spindle covers and belt area. See Figure 4-9.

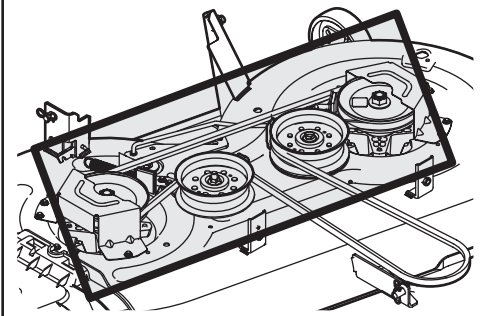
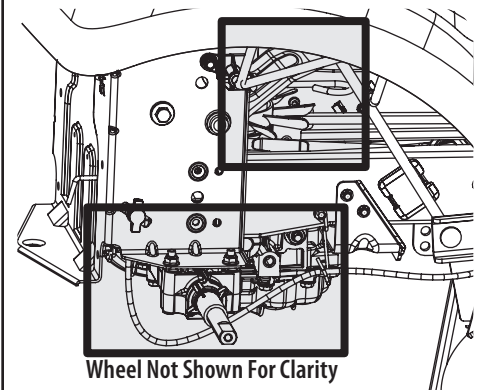


Figure 4-9

- Clean around and near the transmission, axle and the fan area. See Figure 4-10.



Wheel Not Shown For Clarity

Figure 4-10

- Debris can accumulate anywhere on the tractor, especially on horizontal surfaces. Additional cleaning may be necessary when mowing in dry conditions or when mulching.
- Fuel leaks/spills, oil leaks/spills and excess lubrication can also become collections sites for debris. Immediate repair and cleaning up oil or fuel spills can help reduce fire hazards.
- In addition to cleaning the tractor before operating and storing, do not attempt to mow unusually tall grass (10" or higher), dry grass (e.g., pasture) or piles of dry leaves. Dry grass or leaves may contact the engine exhaust and/or build up on the mower deck presenting a potential fire hazard.

### Storing the Tractor

- Allow the machine to cool in an open area before storing.
- Do not park the tractor near any flammable materials (wood, cloth or chemicals) or any open flames or other potential source of ignition (furnace, water heater or any other type of heater).
- Remove all combustible materials from the tractor before storing. Empty cargo boxes, grass catchers or containers.
- Always shut off fuel flow when storing or transporting if tractor is equipped with a fuel shutoff.
- Check the fuel system (lines, tank, cap and fittings) frequently for cracks or leaks. Repair and clean as necessary.

## Maintenance

### Engine

Refer to the Engine Operator's Manual for all engine issues and questions.

**Note:** Maintenance, repair, or replacement of the emission control devices and systems which are being done at owner's expense may be performed by any engine repair establishment or individual. **Warranty repairs must be performed by an authorized dealer.**

### Battery

#### ⚠ WARNING

California **PROPOSITION 65:** Battery posts, terminals, and related accessories contain lead and lead compounds, chemicals known to the State of California to cause cancer and reproductive harm. Wash hands after handling.

The battery is sealed and is maintenance-free. Acid levels cannot be checked and fluid can not be added.

- Always keep the battery cables and terminals clean and free of corrosive build-up.
- After cleaning the battery and terminals, apply a light coat of petroleum jelly or grease to both terminals.

#### ⚠ CAUTION

If removing the battery for cleaning, disconnect the **NEGATIVE (Black)** wire from its terminal first, followed by the **POSITIVE (Red)** wire. When re-installing the battery, always connect the **POSITIVE (Red)** wire its terminal first, followed by the **NEGATIVE (Black)** wire. Be certain that the wires are connected to the correct terminals; reversing them could result in serious damage to your engine's alternating system.

### Jump Starting

#### ⚠ WARNING

Never jump start a damaged or frozen battery. Be certain the vehicles do not touch, and ignitions are off. Do not allow cable clamps to touch.

1. Connect positive (+) cable to positive (+) post of your tractor's discharged battery.
2. Connect the other end of the cable to the positive (+) post of the jumper battery.
3. Connect the second cable negative (-) to the other post of the jumper battery.
4. Make the final connection on the engine block of the tractor, away from the battery. Attach to an unpainted part to assure a good connection.

#### ⚠ CAUTION

If the jumper battery is installed on a vehicle (i.e. car, truck), do **NOT** start the vehicle's engine when jump starting your tractor.

5. Start the tractor (as instructed in the Operation section of this manual).
6. Remove the jumper cables in reverse order of connection.

### Charging

#### ⚠ WARNING

Batteries give off an explosive gas while charging. Charge the battery in a well ventilated area and keep away from an open flame or pilot light as on a water heater, space heater, furnace, clothes dryer or other gas appliances.

#### ⚠ CAUTION

When charging your tractor's battery, use only a charger designed for 12V lead-acid batteries. Read your battery charger's Owner's Manual prior to charging your tractor's battery. Always follow its instructions and heed its warnings.

If your tractor has not been put into use for an extended period of time, charge the battery as follows:

1. Set your battery charger to deliver a max of 10 amperes.
2. If your battery charger is automatic, charge the battery until the charger indicates that charging is complete. If the charger is not automatic, charge for no fewer than eight hours.

### Fuse

#### ⚠ WARNING

Before servicing, repairing, or inspecting, always disengage PTO, set parking brake, stop engine and remove ignition key to prevent unintended starting.

A 20 AMP fuse is installed in your tractor's wiring harness to protect the tractor's electrical system from damage caused by excessive amperage.

If the electrical system does not function, or your tractor's engine will not crank, check to be certain that the fuse has not blown. It is located under the seat, attached to the **POSITIVE (Red)** wire leading to the battery.

#### ⚠ CAUTION

Always use a replacement fuse with the same amperage capacity as the blown fuse.

### Relays & Switches

There are several safety switches in the electrical system. If a function of the safety interlock system described earlier is not functioning properly, have the electrical system checked by your authorized service dealer.

### Engine

Refer to the Engine Operator's Manual for all engine maintenance procedures and instructions.

**Note:** If the "LOW OIL" text appears immediately after the engine is started the oil pressure may be low. This is normal. If the low oil indication persists stop the tractor immediately and check the engine oil level as instructed in the Engine Operator's Manual.

**Note:** The "Low Oil" function only works if the engine is equipped with an oil pressure switch.

### Changing the Engine Oil

#### ⚠ WARNING

If the engine has been recently run, the engine, muffler and surrounding metal surfaces will be hot and can cause burns to the skin. Exercise caution to avoid burns.

**Note:** The oil filter should be changed at every oil change interval. To complete an oil change, proceed as follows:

To complete an oil change, proceed as follows:

1. Run the engine for a short time to warm the engine oil. The oil will flow more freely and carry away more impurities. Use care to avoid burns from hot oil.
2. Open the tractor's hood and locate the oil drain port on the side of the engine.
3. Place an appropriate oil collection container with at least a 2.5 quart capacity below the opening of the oil drain tube, to collect the used oil. Remove the oil fill cap/dipstick from the oil fill tube.
4. Pop open the protective cap on the end of the oil drain valve to expose the drain port. See Figure 4-1.

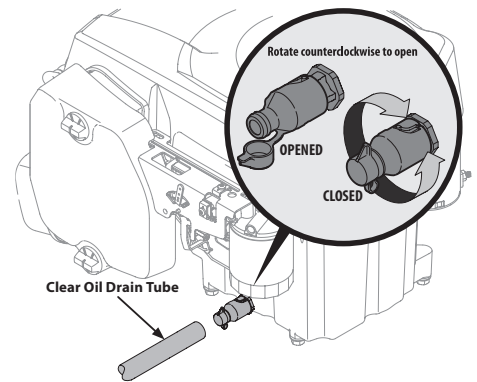


Figure 4-1

5. Remove the oil fill cap/dipstick from the oil fill tube.
6. Push the clear oil drain tube (packed with this manual) onto the oil drain port. Route the opposite end of the tube into an appropriate oil collection container with at least a 2.5 quart capacity to collect the used oil.
7. The engine is equipped with a twist-and-pull drain port. Turn the oil drain valve ¼-turn counter-clockwise, then pull outward to begin draining oil. After the oil has finished draining, push the end of the oil drain valve back in and turn ¼-turn clockwise to secure it back in place. Re-cap the end of the oil drain valve to keep debris from entering the drain port.
7. Replace the oil filter, and refill the engine with new oil as instructed in the engine operator's manual.
8. To refill the oil, close the oil drain and refer to the engine operator's manual for refilling instructions, oil type and amount.

**Note:** Place an absorbent towel beneath the oil filter to keep oil off the clutch.

**Note:** Maintenance, repair, or replacement of the emission control devices and systems which are being done at owner's expense may be performed by any engine repair establishment or individual. **Warranty repairs must be performed by an authorized service dealer.**

## Lubrication

### ⚠ DANGER

Bearing failures and overheating can result in fire/ Always follow the instructions in this manual regarding lubrications locations and intervals. Contact your authorized dealer with any questions about the lubrication locations and intervals or any unusual noises coming from any areas a bearing may be located.

### ⚠ WARNING

Before lubricating, repairing, or inspecting, always disengage the PTO, set the parking brake, stop the engine and remove the key to prevent unintended starting.

## Front Wheels

Each of the front wheel axles and rims is equipped with a grease fitting. See Figure 4-2 for the location of the grease fitting on the axles and Figure 4-3 for the location of the grease fitting on the rims. Lubricate with a No. 2 multi-purpose grease applied with a grease gun after every 25 hours of tractor operation.

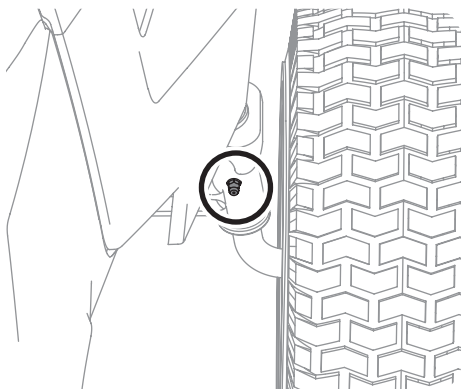


Figure 4-2

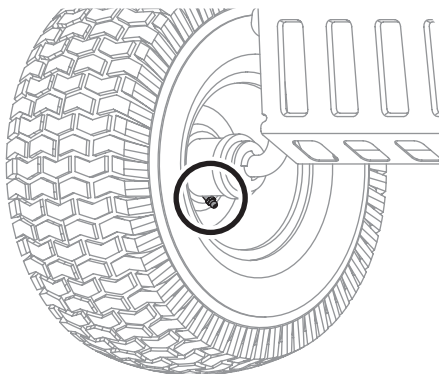


Figure 4-3

## Deck Wheels

The wheels on the deck which are spherical shaped (50" and 54" decks have 4) are equipped with a grease fitting. Lubricate with a No. 2 multi-purpose grease applied with a grease gun after every 25 hours of tractor operation.

## Pivot Points & Linkage

Lubricate all the pivot points on the drive system, parking brake and lift linkage at least once a season with light oil.

**Note:** It is not necessary to grease the steering pinion/sector gear interface. Doing so will allow dirt to accumulate and can affect steering performance.

## Hydrostatic Transmission

The hydrostatic transmission is sealed at the factory and is maintenance-free. The fluid level cannot be checked and the fluid cannot be changed.

## Adjustments

### ⚠ WARNING

Shut the engine off, remove the ignition key and engage the parking brake before making adjustments. Protect your hands by using heavy gloves when handling the blades.

**Note:** Check the tractor's tire pressure before performing any deck leveling adjustments. Refer to Tires on page 11 for information regarding tire pressure.

## Adjusting the Deck

### Leveling the Deck (Front-To-Rear)

The front of the deck is supported by a stabilizer bar that can be adjusted to level the deck from front to rear. The front of the deck should be between  $\frac{1}{4}$ " and  $\frac{3}{8}$ " lower than the rear of the deck. Adjust if necessary as follows:

1. Park the tractor on a firm, level surface and place the deck lift lever in the middle position and rotate the blade nearest the discharge chute so that it is parallel with the tractor.
2. Measure the distance from the front of the blade tip to the ground and the rear of the blade tip to the ground. The front of the deck should be between  $\frac{1}{4}$ " and  $\frac{3}{8}$ " less than the rear of deck.
3. Determine the approximate distance necessary for proper adjustment and proceed, if necessary.
4. To *raise* the front of the deck, loosen the outer nut then tighten (thread inward) the nut against the front hanger bracket. See Figure 4-4. When proper adjustment is achieved, re-tighten the outer nut to 25-30 ft.-lbs.

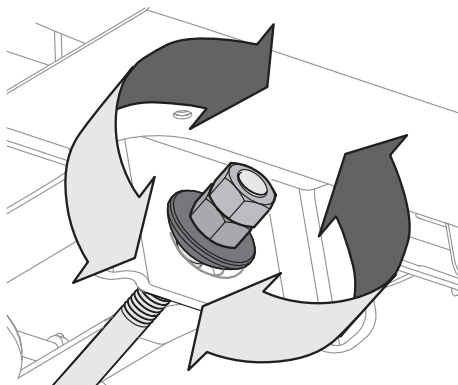


Figure 4-4

5. To *lower* the front of the deck, loosen the outer nut then loosen (thread outward) the nut, away from the front hanger bracket. See Figure 4-4. When proper adjustment is achieved, re-tighten the outer nut.

### Leveling the Deck (Side-to-Side)

If the deck appears to be mowing unevenly, a side-to-side adjustment can be performed. Adjust if necessary as follows:

1. With the tractor parked on a firm, level surface, place the deck lift lever in the middle position and rotate both blades so that they are perpendicular with the tractor.

2. Measure the distance from the outside of the left blade tip to the ground and the distance from the outside of the right blade tip to the ground. Both measurements taken should be equal. If they're not, proceed to the next step.
3. Under the rear fenders inside the wheels there is a lift adjustment rod for each side of the deck. See Figure 4-5.

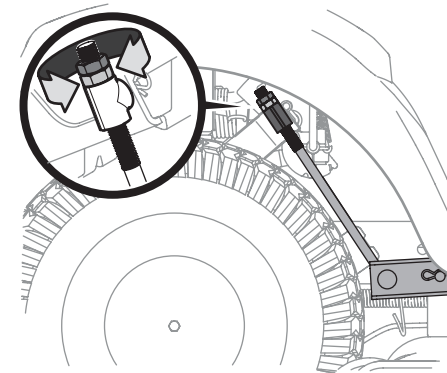


Figure 4-5

4. Minor side-to-side adjustments should be made using primarily the left adjustment rod.
5. To raise the left side of the deck, loosen the upper nut on the end of the lift rod, then turn the lower nut clockwise. When the proper adjustment is achieved, tighten the upper nut to secure in place. To lower the left side of the deck, loosen the upper nut on the end of the lift rod, then turn the lower nut counterclockwise. When the proper adjustment is achieved, tighten the upper nut to 25-30 ft.-lbs. to secure in place.
6. The deck is properly leveled when both blade tip measurements taken earlier are equal.

## Adjusting the Deck Height

The height of the deck can be adjusted to ensure that the setting on your deck height lever is accurate. To adjust the deck height proceed as follows:

1. Park the tractor on a firm, level surface and place the deck lift lever in the highest position (4") and rotate the blade nearest the discharge chute so that it is perpendicular with the tractor.
2. Measure the distance from the outside of the left blade tip to the ground and the distance from the outside of the right blade tip to the ground. Both measurements taken should be 4". If they're not, proceed to the next step.
3. Using the right and left lift rods, raise or lower the necessary side of the deck until both sides are measured at 4" from the pavement.

## Adjusting the Deck Wheels

### ⚠ WARNING

Keep hands and feet away from the discharge opening of the deck.

**Note:** The deck wheels are an anti-scalp feature of the deck and are not designed to support the weight of the deck.

The deck wheels should be approximately ¼-½" above the ground when the deck is set in the desired height setting. To adjust the deck wheels see the Assembly & Set-Up section for instructions.

### Seat Adjustment

Refer to the Assembly & Set-Up section of this manual for seat adjustment instructions.

#### ▲ WARNING

Before operating the tractor, make sure the seat is engaged in the seat-stop. Engage the parking brake. Stand behind the machine and pull back on seat until it clicks into place.

### Parking Brake Adjustment

If the tractor does not come to a complete stop when the brake pedal is completely depressed, or if the tractor's rear wheels can roll with the parking brake applied (and the hydrostatic relief valve open), the brake is in need of adjustment. See your authorized service dealer to have the brake adjusted.

### Hydrostatic Neutral Adjustment

If the tractor creeps forward or rearward when neither the forward nor reverse pedal is depressed, contact your local authorized dealer to have the neutral setting properly adjusted.

### Wheel Alignment

If your tractor pulls to one side or is out of alignment, a wheel alignment might be necessary. Take your tractor to an authorized service dealer to have the wheels properly aligned.

### Off-Season Storage

If your lawn tractor is not going to be operated for an extended period of time (thirty days to approximately six months), the lawn tractor should be prepared for storage. Store the lawn tractor in a dry and protected location. If stored outside, cover the lawn tractor (including the tires) to protect it from the elements. The procedures outlined below should be performed whenever the lawn tractor is placed in storage.

1. Change the engine oil and filter following the instructions provided in the Engine Operator's Manual.

#### ▲ WARNING

Never store the lawn tractor with fuel in the tank indoors or in poorly ventilated enclosures, where fuel fumes may reach an open flame, spark or pilot light as on a furnace, water heater, clothes dryer, etc.

2. Service the engine as instructed in the separate Engine Operator's Manual.
3. Engines stored between 30 and 90 days need to be treated with a gasoline stabilizer and engines stored over 90 days need to be run empty of fuel to prevent deterioration and gum from forming in fuel system or on essential carburetor parts. If the gasoline in your engine deteriorates during storage, you may need to have the carburetor, and other fuel system components, serviced or replaced.
3. Remove the spark plugs and pour approximately one ounce of oil into each cylinder. Crank the engine one or two turns to spread the oil evenly on the cylinder walls. Replace the spark plugs.

4. Clean the engine and the entire tractor thoroughly.

**Note:** Use of a pressure washer or garden hose is not recommended to clean your lawn tractor. They may cause damage to electrical components, spindles, pulleys, bearings or the engine. The use of water will result in shortened life and reduce serviceability.

5. Sharpen the blades so that the mower will be ready to use when needed.
  6. Protect the metal surfaces. Repair scratches with the appropriate touch-up spray paint.
  7. Clean and fully charge the battery, then disconnect the negative cable at the battery to prevent possible discharge. Recharge the battery periodically when in storage.
- Note:** Remove the battery if exposed to prolonged periods of sub-freezing temperatures. Store in a cool, dry location where temperatures are above freezing.
8. Lubricate all lubrication points.
  9. Jack the mower up and store it on blocks to take the weight off of the tires.

### Removing the Lawn Tractor from Storage

1. Check the engine oil.
2. Fully charge the battery, lower lawn tractor off blocks, and inflate the tires to the recommended pressure.
3. Remove the spark plugs and wipe them off. Using the starter, crank the engine to pump the excess oil out of the spark plug holes. Replace the spark plugs and the ignition leads.
4. If drained before storing, fill the fuel tank with clean, fresh gasoline.
5. Start the engine and allow to idle for a few minutes to ensure engine is operating properly.
6. Drive the lawn tractor without a load to make certain all the lawn tractor systems are functioning properly.

## Service

### Deck Removal

To remove the deck, proceed as follows:

1. Place the PTO in the DISENGAGED (OFF) position and ENGAGE the parking brake.
2. Lower the deck by moving the deck lift lever into the bottom notch on the right fender.
3. For tractors with manual PTO's continue with step 4, for electric PTO models skip ahead to step 8.
4. Loosen, but do not remove the flange lock nut on the right idler pulley and the hex screw on the left idler pulley.

5. Remove the hex screw securing the engine pulley keeper rod to the frame. See Figure 4-1.

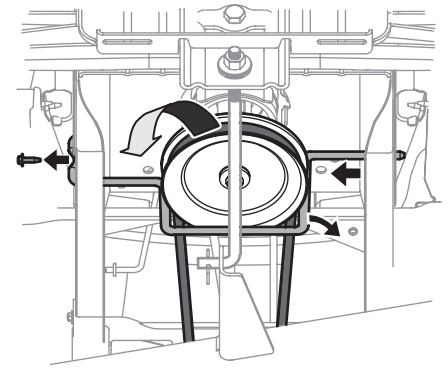


Figure 4-1

6. Slide the rod to the right to remove it.
 

**Note:** Be careful not to damage the wire harness when removing the rod.
7. Remove the bow pin that secures the PTO cable to the bracket on the deck, slide the PTO cable out of the bracket and unhook the spring from the idler bracket. See Figure 4-2.

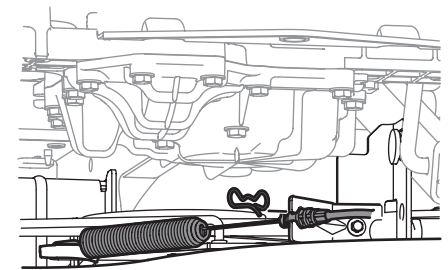


Figure 4-2

8. Working on the right side of the tractor, insert a ¾" drive ratchet wrench, set to *tighten*, into square hole found on the idler bracket. See Figure 4-3.

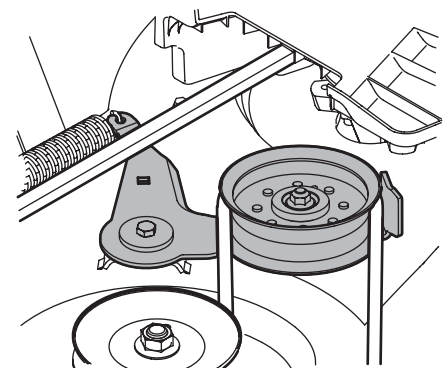


Figure 4-3

- Pivot the wrench forward to move the deck drive pulley forward. See Figure 4-3.

**⚠ WARNING**

Avoid pinching injuries. Never place your fingers on the idler spring or between the belt and a pulley while installing the belt.

- Carefully remove the belt from around the PTO pulley.
- Looking at the deck from the left side of the tractor, locate the bow-tie pin on the rear left side of the deck. See Figure 4-4.

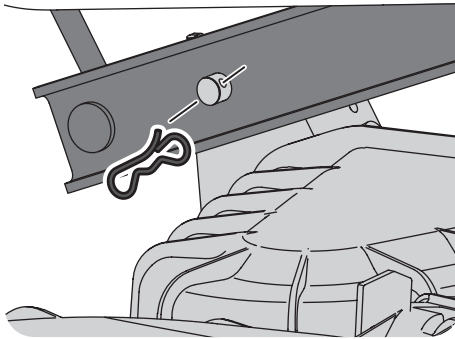


Figure 4-4

- Remove the pin and slide the deck pin out of the deck lift arm. See Figure 4-4.
- Repeat the above steps on the tractor's right side.
- Pull the bow-tie pin out of the front deck lift rod securing it to the deck. See Figure 4-5. Slide the deck lift rod out of the front hanger bracket.

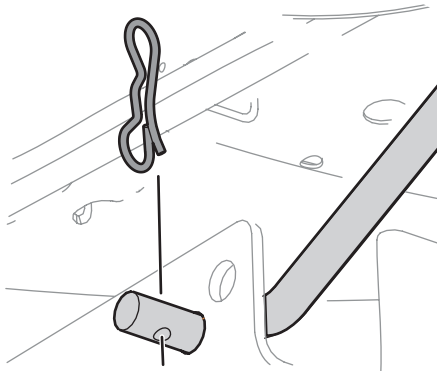


Figure 4-5

- Move the deck lift lever into the top notch to raise the deck lift up and out of the way.

**⚠ CAUTION**

There is a certain amount of spring tension due to the weight of the deck. When removing the lift linkage from the deck the tension of the springs will go from the deck to the deck lift handle and snap back.

- Gently slide the deck out from underneath the tractor.

### Deck Installation

To install the deck, reverse the Deck Removal instructions on page 20-21.

### FastAttach™ Blade System (If Equipped)

**⚠ WARNING**

Shut the engine off and remove ignition key before removing the cutting blade(s) for sharpening or replacement. Protect your hands by using heavy gloves when grasping the blade.

**⚠ WARNING**

Periodically inspect the blade and/or spindle for cracks or damage, especially after you've struck a foreign object. Do not operate the machine until damaged components are replaced.

**⚠ CAUTION**

If the cutting edge of the blade has previously been sharpened, or if any metal separation is present, replace the blades with new ones.

### Removing the Blades

- Set the mower deck height to its highest position.
- Carefully feel for the finger grooves on the blade collar at the sides of the blade.
- Push upward on the blade collar and hold it. See Figure 4-7.

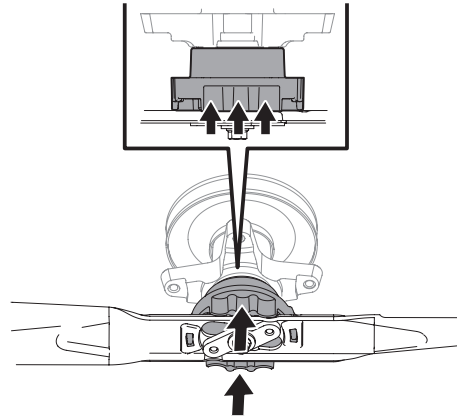


Figure 4-6

- While holding the collar in the upward position, rotate the blade counterclockwise to free it from the collar. See Figure 4-7.

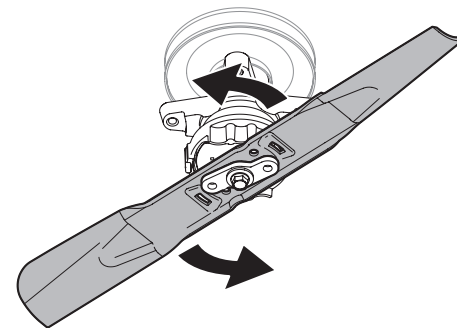


Figure 4-7

- When the hole in the center of the blade aligns with the rider blade retainer, carefully lower the blade. See Figure 4-8.

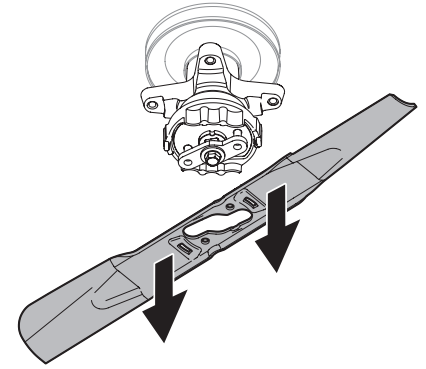


Figure 4-8

### Installing the Blade

- Set the mower deck height to its highest position.
- Properly orient the blade. The bottom of the blade is labeled "Grass Side".
- Position the blade under the spindle assembly, and carefully align the large opening in the center of the blade over the rider blade retainer. See Figure 4-9.

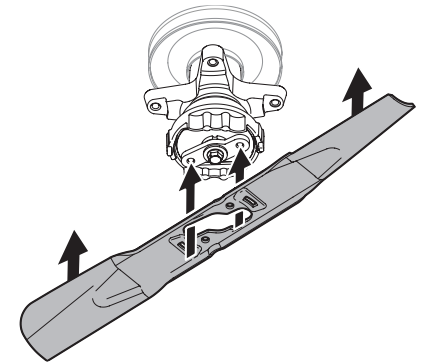


Figure 4-9

- Push the blade upward against the blade adapter until the collar above rises. See Figure 4-10.

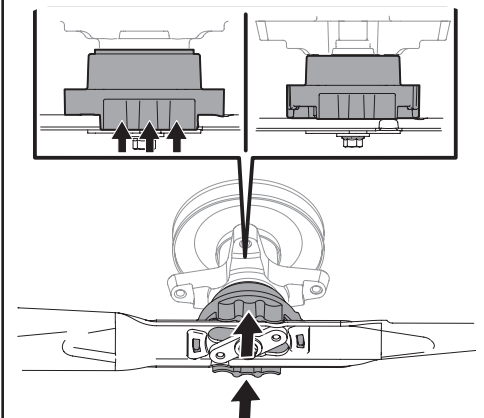


Figure 4-10

- Rotate the blade clockwise to align with the blade adapter. See Figure 4-11.  
**NOTE:** If too much resistance is felt while turning the blade then the spindle is rotating, the blade is not properly aligned on the blade adapter, and installation will not be successful.

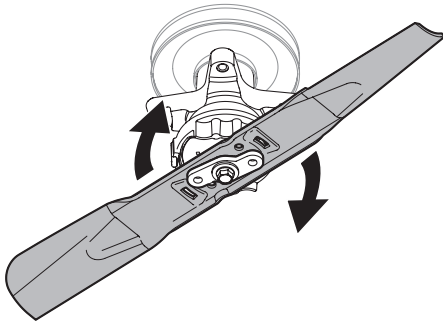


Figure 4-11

- There will be an audible click when the blade is properly locked in place. See Figure 4-12.

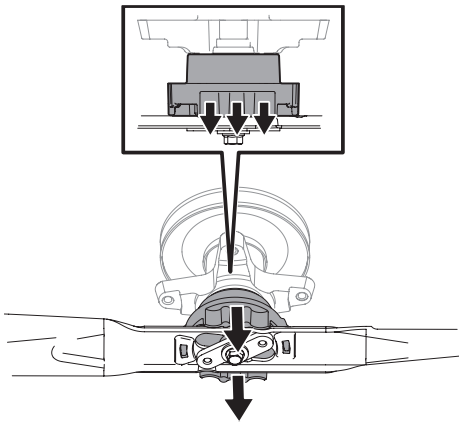


Figure 4-12

### Standard Blade System (If Equipped)

#### ⚠ WARNING

Shut the engine off and remove ignition key before removing the cutting blade(s) for sharpening or replacement. Protect your hands by using heavy gloves when grasping the blade.

#### ⚠ WARNING

Periodically inspect the blade and/or spindle for cracks or damage, especially after you've struck a foreign object. Do not operate the machine until damaged components are replaced.

#### ⚠ CAUTION

If the cutting edge of the blade has previously been sharpened, or if any metal separation is present, replace the blades with new ones.

### Replacing the Blades

- Remove the deck from beneath the tractor, (refer to Deck Removal earlier in this section) then gently flip the deck over to expose its underside.

- Place a block of wood between the deck housing baffle and the cutting blade to act as a stabilizer. See Figure 4-13.

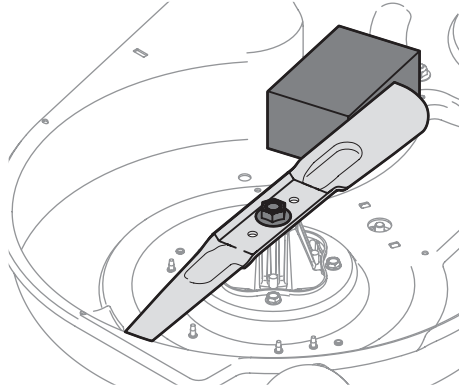


Figure 4-13

- Remove the hex flange nut that secures the blade to the spindle assembly. See Figure 4-13.
- To properly sharpen the cutting blades, remove equal amounts of metal from both ends of the blades along the cutting edges, parallel to the trailing edge, at a 25° to 30° angle. Always grind each cutting blade edge equally to maintain proper blade balance. See Figure 4-14.

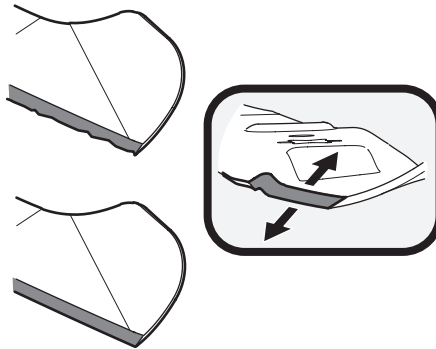


Figure 4-14

- Test the blade's balance using a blade balancer. Grind metal from the heavy side until it balances evenly.

#### ⚠ WARNING

A poorly balanced blade will cause excessive vibration, may damage the tractor and/or result in personal injury.

**Note:** When replacing the blade, be sure to install the blade with the side of the blade marked "Bottom" (or with a part number stamped in it) facing the ground when the mower is in the operating position.

#### ⚠ CAUTION

Use a torque wrench to tighten the blade spindle hex flange nut to between 70 ft-lbs and 90 ft-lbs.

### Changing the Deck Belt

#### ⚠ WARNING

The V-belts found on your tractor are specially designed to engage and disengage safely. A substitute (non-OEM) V-belt can be dangerous by not disengaging completely. For a proper working machine, use factory approved belts.

All belts on your tractor are subject to wear and should be replaced if any signs of wear are present. To change or replace the deck belt on your tractor, proceed as follows:

- Remove the deck as instructed earlier in this section under Deck Removal.
- Loosen, but do not remove the hardware on the right and left idler pulley.

**Note:** On some decks it may be necessary to remove the spindle covers to remove and/or install the new belt. To remove the spindle covers, remove the screws securing them to the deck.

- Carefully remove the belt from around the idler pulleys and the spindle pulleys.

#### ⚠ WARNING

Avoid pinching injuries. Never place your fingers on the idler spring or between the belt and a pulley while removing the belt.

- Route the new belt as shown in the applicable figure on the following pages. See Figure 4-16 for 42" decks, Figure 4-16 for 46" decks and Figure 4-17 for 50" & 54" decks.

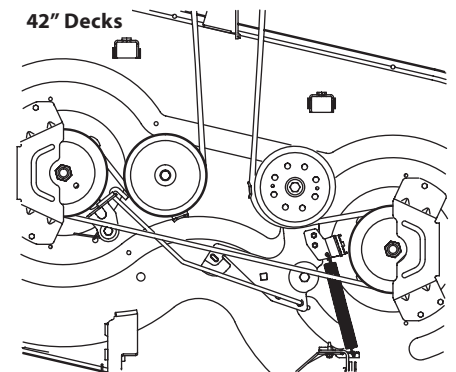


Figure 4-15

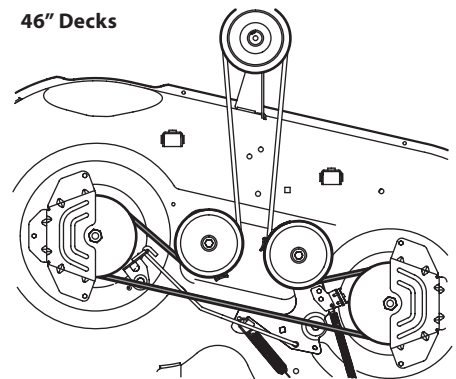


Figure 4-16

## 50" & 54" Decks

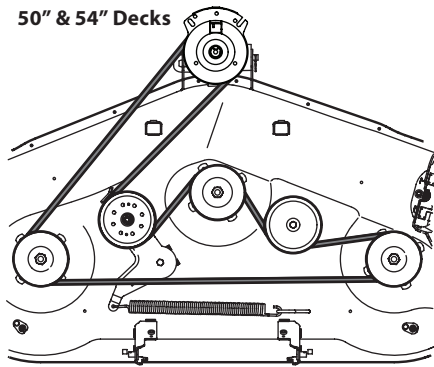


Figure 4-17

**Note:** Use a  $\frac{3}{8}$ " drive ratchet wrench as instructed in earlier steps when routing the new belt.

5. Retighten idler pulleys, if loosened earlier.
6. Remount the spindle covers if removed earlier.
7. Re-install the deck make sure the belt remains routed around the pulleys as instructed.
8. On manual PTO units, re-install the engine pulley keeper rod and the PTO cable.
9. Pull the right side of the belt and place the narrow V side of the belt into the PTO pulley. See Figure 4-18.

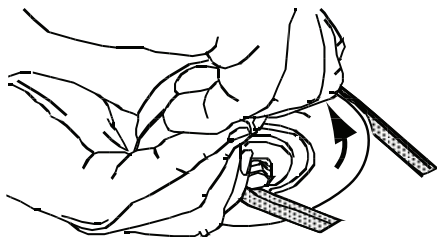


Figure 4-18

10. While holding the belt and pulley together, rotate the pulley to the left. Continue holding and rotating the pulley and belt until the belt is fully rolled into the PTO pulley.

## Removing the Brush Guard

### ⚠ WARNING

The exhaust system and surrounding areas are **HOT**. To avoid personal injury, allow the tractor to cool before beginning any brush guard installation or removal procedures.

1. Remove two cotter pins, and then pull the pins. See Figure 4-19.

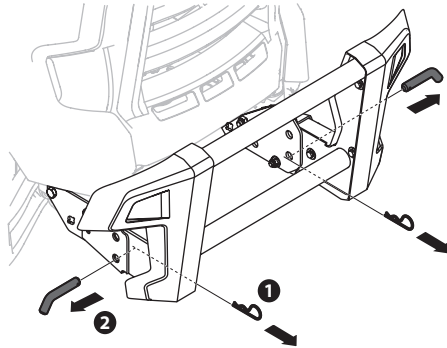


Figure 4-19

2. The brush guard assembly may now be removed. See Figure 4-20.

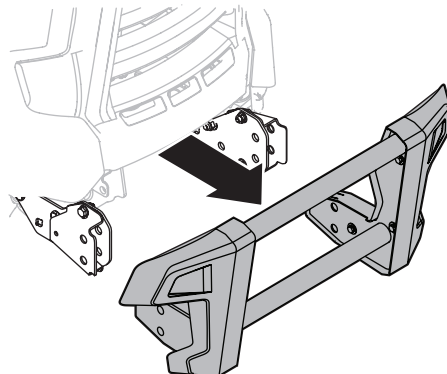


Figure 4-20

**Note:** The FastAttach™ brackets may be left in place for use with other FastAttach™ attachments. Contact your authorized service dealer for a complete list of products and availability.

## Changing the Transmission Drive Belt

Several components must be removed and special tools used in order to change the tractor's transmission drive belt. See your authorized dealer to have the transmission drive belt replaced.

## Troubleshooting

### Excessive Vibration

1. Cutting blade loose.
  - Tighten cutting blade and deck spindle.
2. Cutting blade damaged, unbalanced or bent.
  - Replace the cutting blade.

### Uneven Cut

1. Deck not properly leveled.
  - Perform side-to-side deck adjustment.
2. Cutting blade dull or damaged.
  - Sharpen or replace cutting blade.
3. Uneven tire pressure.
  - Check and correct tire pressure in all four tires.





# MANUAL DEL OPERADOR

## Tractor cortacésped y tractor de jardín

---

### Índice

<i>Medidas importantes de seguridad</i> .....	2	<i>Cuidado del producto</i> .....	16
<i>Armado e Instalación</i> .....	7	<i>Piezas/Garantía</i> .....	<i>Consulte el suplemento que se adjunta por separado</i>
<i>Controles y Funcionamiento</i> .....	11		



### **ADVERTENCIA**

**LEA Y CUMPLA TODAS LAS REGLAS Y LAS INSTRUCCIONES DE SEGURIDAD DE ESTE MANUAL ANTES DE INTENTAR OPERAR ESTA MÁQUINA.  
SI NO SIGUE ESTAS INSTRUCCIONES, PUEDE PROVOCAR LESIONES PERSONALES.**

**NOTA:** Este manual del operador abarca numerosos modelos. Las características pueden variar según los modelos. No todas las características que se incluyen en este manual se aplican a todos los modelos y el modelo que se ilustra aquí puede diferir del suyo.



**¡ADVERTENCIA!** Este símbolo indica instrucciones de seguridad importantes que, de no seguirse, pueden poner en peligro su seguridad personal y/o material y la de otras personas. Lea y cumpla todas las instrucciones de este manual antes de intentar hacer funcionar esta máquina. Si no sigue estas instrucciones, puede provocar lesiones personales. Cuando vea este símbolo, **¡TENGA EN CUENTA LAS ADVERTENCIAS!**

## PROPOSICIÓN 65 DE CALIFORNIA



**¡ADVERTENCIA!** El escape del motor de este producto, algunos de sus componentes y algunos componentes del vehículo contienen o liberan sustancias químicas que el Estado de California considera que pueden producir cáncer, defectos de nacimiento u otros problemas reproductivos.



**¡ADVERTENCIA!** Los bornes y contactos de la batería, y los accesorios afines contienen plomo y compuestos de plomo, sustancias químicas que el Estado de California considera que pueden producir cáncer y daños en el sistema reproductivo. *Lávese las manos después de estar en contacto con estos componentes.*



**¡PELIGRO!** Esta máquina está diseñada para ser utilizada respetando las medidas de seguridad contenidas en este manual. Al igual que con cualquier tipo de equipo motorizado, un descuido o error por parte del operador puede producir lesiones graves. Esta máquina es capaz de amputar manos y pies y de arrojar objetos. De no respetar las instrucciones de seguridad siguientes, se pueden ocasionar lesiones graves o la muerte.

## Funcionamiento general

1. Lea, entienda y cumpla todas las instrucciones incluidas en la máquina y en el(los) manual(es) antes de intentar realizar el montaje de la unidad y utilizarla. Guarde este manual en un lugar seguro para consultas futuras y periódicas, así como para solicitar repuestos.
2. Familiarícese con todos los controles y con el uso adecuado de los mismos. Sepa cómo detener la máquina y desactivar los controles rápidamente.
3. No permita nunca que los niños menores de 14 años utilicen esta máquina. Los niños de 14 años en adelante deben leer y entender las instrucciones de funcionamiento y las normas de seguridad contenidas en este manual y en la máquina y deben ser entrenados y supervisados por un adulto.
4. Nunca permita que los adultos operen esta máquina sin recibir antes la instrucción apropiada.
5. Para tratar de evitar el contacto con las cuchillas o una lesión por un objeto que sea arrojado, mantenga a los observadores, ayudantes, niños y mascotas alejados al menos 75 pies de la máquina mientras está funcionando. Pare la máquina si alguien ingresa a la zona.
6. Inspeccione minuciosamente el área donde utilizará el equipo. Saque todas las piedras, palos, cables, huesos, juguetes y demás objetos extraños que puedan ser recogidos y arrojados por las cuchillas. Los objetos arrojados por la máquina pueden causar lesiones graves.
7. Planifique el patrón de corte, para evitar que la descarga de material se realice hacia los caminos, las veredas, los observadores, etc. Evite además descargar material contra una pared u obstrucción, ya que esto podría hacer que el material descargado rebotara contra el operador.
8. Para protegerse los ojos utilice siempre anteojos o antiparras de seguridad mientras hace funcionar la máquina o mientras le hace ajustes o reparaciones. Los objetos arrojados que rebotan pueden lesionar gravemente los ojos.
9. Utilice zapatos de trabajo resistentes, de suela fuerte, así como pantalones y camisas ajustados. Las prendas sueltas y las alhajas pueden quedar atrapadas en las piezas móviles. Nunca haga funcionar la máquina descalzo o con sandalias.
10. Para un uso prolongado de este producto, se requiere protección auditiva.
11. Esté atento a la dirección de descarga de la cortadora y sus accesorios y no los apunte a nadie. Nunca opere la cortadora de césped sin tener bien colocada la cubierta de descarga o el colector de césped.
12. No ponga las manos ni los pies cerca de las piezas rotatorias ni debajo de la plataforma de corte. El contacto con las cuchillas puede amputar manos y pies.
13. Una cubierta de descarga faltante o dañada puede provocar lesiones por contacto con la cuchilla o por objetos arrojados.
14. Detenga las cuchillas al cruzar sendas, senderos o caminos de grava y cuando no corte césped.
15. Tenga cuidado con el tránsito cuando opere cerca de rutas o al cruzarlas. Esta máquina no está diseñada para ser usada en la vía pública.
16. No haga funcionar la máquina si se encuentra bajo los efectos del alcohol o las drogas.
17. Úsela solamente con luz natural o con buena luz artificial.
18. Nunca lleve pasajeros.
19. Desacople las cuchillas antes de cambiar a marcha atrás. Retroceda lentamente. Siempre mire hacia abajo y hacia atrás antes y mientras retrocede para evitar accidentes.
20. Reduzca la velocidad antes de girar. Haga funcionar la máquina de manera uniforme. Evite que funcione de manera errática y a excesiva velocidad.
21. Desacople las cuchillas, ponga el freno de mano, pare el motor y espere hasta que las cuchillas se detengan por completo antes de retirar el colector de césped, vaciar los recortes, destapar el canal, retirar restos de césped o desechos, o hacer cualquier ajuste.
22. Nunca deje la máquina en funcionamiento sin vigilancia. Siempre desconecte las cuchillas, ponga la transmisión en punto muerto, ponga el freno de mano, detenga el motor y retire la llave antes de bajarse del vehículo.
23. Tenga mucho cuidado al cargar o descargar la máquina en un remolque o camión. Esta máquina no debe conducirse subiendo o bajando rampas, ya que la máquina podría volcar y provocar lesiones personales graves. La máquina se debe empujar a mano en rampas para cargarla o descargarla correctamente.
24. El silenciador y el motor se calientan y pueden causar quemaduras. No los toque.
25. Revise la holgura superior antes de conducir debajo de ramas bajas, cables, cerramientos de puertas, etc., donde el operador puede golpearse o ser tirado de la máquina, lo que podría resultar en lesiones graves.
26. Desacople todos los embragues de los accesorios, presione a fondo el pedal del freno y cambie a punto muerto antes de intentar arrancar el motor.
27. Su máquina está diseñada para cortar césped residencial normal de una altura no mayor a 10

pulgadas. No intente cortar césped demasiado crecido, seco (como un pastizal) ni pilas de hojas secas. El césped o las hojas secas pueden entrar en contacto con el escape del motor y/o acumularse en la plataforma de corte presentando un potencial peligro de incendio.

28. Utilice solamente accesorios e implementos aprobados para esta máquina por su fabricante. Lea, comprenda y siga todas las instrucciones incluidas con el accesorio o implemento aprobado.
29. Los datos indican que los operadores de 60 años y más participan de un gran porcentaje de lesiones relacionadas con tractores cortacésped. Estas personas deben evaluar su capacidad para operar el tractor de manera suficientemente segura para protegerse a sí mismos y a otros de lesiones graves.
30. Si se presentan situaciones que no están previstas en este manual, tenga cuidado y use el sentido común. Póngase en contacto con su representante de atención al cliente para obtener ayuda.

### Funcionamiento en pendiente

Las pendientes son uno de los principales factores asociados a los accidentes por pérdida de control y vuelcos que pueden producir lesiones graves o la muerte. Todas las pendientes exigen precaución adicional. Si no puede retroceder por la pendiente o si no se siente seguro, no realice ningún corte.

Para su seguridad, use el indicador de pendientes que se adjunta a este manual para medir la pendiente antes de operar la máquina en una zona inclinada. Si la pendiente es de más de 15°, como se muestra en el sector, no haga funcionar esta máquina en ese sector o podría causar lesiones graves.

### Haga lo siguiente:

1. Corte las pendientes hacia arriba y hacia abajo, no en forma transversal. Tenga sumo cuidado al cambiar de dirección en una pendiente.
2. Esté atento a los hoyos, surcos, baches, rocas, y otros objetos ocultos. El terreno desnivelado puede voltear la máquina. El césped alto puede ocultar obstáculos.
3. Conduzca a baja velocidad. Seleccione una velocidad lo suficientemente baja como para que no necesite detenerse o cambiar de marcha estando en pendiente. Los neumáticos pueden perder tracción en las pendientes aún cuando los frenos funcionen correctamente. Siempre mantenga la máquina en cambio mientras desciende una pendiente para poder frenar con el motor.
4. Siga las recomendaciones del fabricante sobre los pesos o contrapesos de las ruedas para mejorar la estabilidad.
5. Tenga mucho cuidado con los colectores de césped y otros complementos. Pueden modificar la estabilidad de la máquina.
6. Todos los movimientos en las pendientes deben ser lentos y graduales. No haga cambios bruscos de velocidad o dirección. Hacer un cambio o frenar repentinamente puede hacer que el frente de la máquina se levante y vuelque rápidamente hacia atrás dando lugar a lesiones graves.
7. Evite arrancar o detenerse en una pendiente. Si las ruedas pierden tracción, desacople las

cuchillas y descienda la pendiente lentamente.

### No haga lo siguiente:

1. No gire en pendiente a menos que sea necesario; si lo hace, gire lenta y gradualmente cuesta abajo, si es posible.
2. No corte el césped cerca de declives, zanjas o terraplenes. La cortadora puede volcarse repentinamente si una de las ruedas pasa el borde de un acantilado o zanja o si se desmorona un borde.
3. No intente estabilizar la máquina poniendo el pie en el suelo.
4. No utilice colector de césped en pendientes empinadas.
5. No corte el césped húmedo. La falta de tracción puede hacer que patine.
6. No cambie a punto muerto para bajar por inercia. El exceso de velocidad puede hacer que el operador pierda el control de la máquina y se produzcan lesiones graves o la muerte.
7. No remolque complementos de arrastrar pesados (como carrito de basura cargado, podadora de rodillos, etc.) en pendientes de más de 5°. Cuando se desplaza cuesta abajo, el peso adicional tiende a empujar el tractor y puede hacerle perder el control (por ejemplo, el tractor se puede acelerar, la capacidad de conducir y frenar se reducen, el complemento puede acodillarse y hacer que el tractor vuelque).

### Niños

1. Pueden ocurrir accidentes trágicos si el operador no está atento a la presencia de niños. Por lo general, los niños se sienten atraídos por la máquina y su actividad. No entienden los riesgos ni los peligros. Nunca suponga que los niños permanecerán en el lugar donde los vio por última vez.
  - a. Mantenga a los niños fuera del área de corte y bajo estricta vigilancia de un adulto responsable además del operador.
  - b. Esté alerta y apague la máquina si un niño ingresa al área.
  - c. Antes de moverse hacia atrás y mientras lo hace, mire hacia atrás y abajo para ver que no haya niños pequeños.
  - d. Nunca transporte niños, ni siquiera con las cuchillas desactivadas. Podrían caerse y resultar gravemente heridos o interferir con la operación segura de la máquina.
  - e. Tenga mucho cuidado al aproximarse a las esquinas ciegas, puertas, arbustos, árboles u otros objetos que puedan obstaculizarle la vista de un niño que pudiese correr al encuentro de la máquina.
  - f. Para evitar accidentes retrocediendo, siempre desacople las cuchillas antes de cambiar a marcha atrás. Si está equipado, el "Modo de marcha atrás con precaución" no se debe usar cuando haya niños y otras personas alrededor.
  - g. Mantenga a los niños alejados de los motores en marcha o calientes.

Pueden sufrir quemaduras con un silenciador caliente.

- h. Retire la llave cuando la máquina quede sin vigilancia para evitar el funcionamiento no autorizado.
2. No permita nunca que los niños menores de 14 años utilicen esta máquina. Los niños de 14 años en adelante deben leer y entender las instrucciones de funcionamiento y las normas de seguridad contenidas en este manual y en la máquina y deben ser entrenados y supervisados por un adulto.

### Remolque

1. Remolque únicamente con una máquina que tenga un enganche diseñado para remolcar. No acople equipo remolcado excepto en el punto de enganche.
2. Siga las recomendaciones del fabricante sobre los límites de pesos de los equipos remolcados y el remolque en pendiente.
3. Nunca permita que los niños y otras personas se suban a equipos remolcados.
4. En las pendientes, el peso del equipo remolcado puede causar pérdida de tracción y pérdida de control.
5. Siempre tenga mucho cuidado al remolcar con una máquina capaz de hacer giros cerrados (por ejemplo, tractor cortacésped con radio de giro cero). Realice giros amplios para el acodillamiento.
6. Desplácese lentamente y deje distancia adicional para detenerse.
7. No cambie a punto muerto para bajar por inercia.

## Servicio

### Manejo seguro de la gasolina:

1. Para evitar lesiones personales o daños materiales tenga mucho cuidado al manipular la gasolina. **La gasolina es sumamente inflamable y sus vapores son explosivos.** Si se derrama gasolina encima o sobre la ropa se puede lesionar gravemente ya que se podría prender fuego. Lávese la piel y cámbiese de ropa de inmediato.
  - a. Utilice sólo los recipientes para gasolina autorizados.
  - b. Nunca llene los recipientes dentro de un vehículo o un camión o un remolque con recubrimiento plástico. Coloque siempre los recipientes en el piso y lejos del vehículo antes de llenarlo.
  - c. Cuando sea conveniente, retire el equipo a gasolina del camión o remolque y llénelo sobre el suelo. Si esto no es posible, llene el equipo en un remolque con un recipiente portátil, en vez de hacerlo desde un pico dispensador de gasolina.
  - d. Mantenga la boquilla en contacto con el borde del tanque de combustible o de la abertura del recipiente en todo momento, hasta terminar de cargar. No utilice un dispositivo de apertura/cierre del pico.
  - e. Apague todos los cigarrillos, cigarras, pipas y otras fuentes de combustión.
  - f. Nunca cargue combustible en la máquina en un espacio cerrado.
  - g. Nunca saque la tapa del combustible ni agregue combustible mientras el motor está caliente o en marcha. Deje que el motor se enfríe por lo menos dos minutos antes de volver a cargar combustible.
  - h. Nunca llene en exceso el depósito de combustible. Llene el depósito no más que por debajo del cuello de llenado para dejar espacio para la expansión del combustible.
  - i. Vuelva a colocar el tapón de combustible y ajústelo bien.
  - j. Limpie el combustible que se haya derramado sobre el motor y el equipo. Traslade la máquina a otra zona. Espere 5 minutos antes de arrancar el motor.
  - k. Para reducir el riesgo de incendio, mantenga la máquina limpia de pasto, hojas y residuos acumulados. Siga las instrucciones de "Cuidado del tractor después de la operación" en la sección Cuidado del producto. Limpie los derrames de aceite o combustible y saque todos los residuos embebidos en combustible.
  - l. Nunca guarde la máquina o el recipiente de combustible en un espacio cerrado donde haya fuego, chispas o luz piloto, como por ejemplo de calentadores de agua, calefactores de ambientes, hornos, secadores de ropa u otros aparatos a gas.
  - m. Deje que la máquina se enfríe por lo menos cinco minutos antes de guardarla.

### Servicio general

1. Nunca encienda el motor en espacios cerrados o en una zona con poca ventilación. El escape del motor contiene monóxido de carbono, un gas inodoro y letal.
2. Antes de limpiar, reparar o inspeccionar la máquina, compruebe que las cuchillas y todas las piezas móviles se hayan detenido. Desconecte el cable de la bujía y póngalo haciendo masa contra el motor para evitar que se encienda accidentalmente.
3. Controle periódicamente para asegurarse que las cuchillas se detienen completamente aproximadamente cinco (5) segundos después de accionar el control de desacople. Si las cuchillas no se detienen dentro de este lapso de tiempo, su unidad deberá ser reparada por su distribuidor de servicio autorizado.
4. Controle el funcionamiento de los frenos con frecuencia, ya que está sujeto a desgaste durante el funcionamiento normal. Realice los ajustes y el mantenimiento necesario.
5. Controle las cuchillas y los pernos de montaje del motor a intervalos frecuentes para verificar que estén bien apretados. Además, inspeccione visualmente las cuchillas para detectar la presencia de daños (por ejemplo: desgaste excesivo, abolladuras, rajaduras). Reemplace las cuchillas únicamente por cuchillas de los fabricantes del equipo original (O.E.M.) listados en este manual. "El uso de piezas que no cumplen con las especificaciones del equipo original podría producir un rendimiento inadecuado y además puede comprometer la seguridad."
6. Las cuchillas de la cortadora son filosas. Envuelva la cuchilla o utilice guantes y extreme las precauciones cuando les haga mantenimiento.
7. Mantenga todos los pernos, las tuercas y los tornillos bien ajustados para asegurarse de que la máquina se encuentra en condiciones seguras de funcionamiento.
8. Nunca altere el sistema de interbloqueo de seguridad u otros dispositivos de seguridad. Controle periódicamente que funcionen correctamente.
9. Después de golpear algún objeto extraño, detenga el motor, desconecte los cables de la bujía y conéctelos a tierra con el motor. Inspeccione minuciosamente la máquina para ver si está dañada. Repare el daño antes de volver a arrancar y operar la máquina.
10. Nunca intente hacer ajustes o arreglos con el motor en marcha.
11. Los componentes del colector de césped y la cubierta de descarga están sujetos a desgaste y daños que podrían dejar expuestas piezas móviles o permitir que se arrojen objetos. Para proteger su seguridad, verifique frecuentemente todos los componentes y reemplácelos inmediatamente sólo por repuestos de los fabricantes del equipo original (O.E.M.) listados en este manual. "El uso de piezas que no cumplen con las especificaciones del equipo original podría

producir un rendimiento inadecuado y además puede comprometer la seguridad."

12. No cambie la configuración del regulador del motor ni acelere demasiado el motor. El regulador del motor controla la velocidad máxima de funcionamiento seguro del motor.
13. Mantenga o reemplace las etiquetas de seguridad y de instrucciones según sea necesario.
14. Respete las normas y reglamentaciones sobre la manera correcta de eliminar gasolina, aceite, etc. para proteger el medio ambiente.
15. Según la Comisión de Seguridad de Productos para el Consumidor de los Estados Unidos (CPSC) y la Agencia de Protección Ambiental de los Estados Unidos (EPA), este producto tiene una *vida útil media* de siete (7) años ó 390 horas de funcionamiento. Al finalizar la *vida útil media* haga inspeccionar anualmente esta unidad por un distribuidor de servicio autorizado para cerciorarse de que todos los sistemas mecánicos y de seguridad funcionan correctamente y no tienen excesivo desgaste. Si no lo hace, puede ocasionar accidentes, lesiones o la muerte.

### No modifique el motor

Para evitar lesiones graves o la muerte, no modifique el motor de ninguna manera. Si altera la configuración del regulador, el motor se puede desbocar y funcionar a velocidades que no son seguras. Nunca cambie la configuración de fábrica del regulador del motor.

### Aviso referido a emisiones

Los motores que están certificados y cumplen con las normas sobre emisiones federales EPA y de California para SORE (Equipos pequeños todo terreno) están certificados para funcionar con gasolina sin plomo común y pueden incluir los siguientes sistemas de control de emisiones: Modificación de motor (EM), catalizador oxidante (OC), inyección de aire secundaria (SAI) y catalizador de tres vías (TWC) si están instalados.

Cuando sea necesario, los modelos están equipados con líneas de combustible y depósitos de combustible de baja penetración para controlar las emisiones por evaporación. Los modelos para California también pueden incluir un filtro de carbón. Por favor, póngase en contacto con Atención al cliente para obtener información sobre la configuración del control de emisiones por evaporación para su modelo.

### Amortiguador de chispas

#### ▲ADVERTENCIA

Esta máquina está equipada con un motor de combustión interna y no debe utilizarse en o cerca de un terreno agreste cubierto de bosque, malezas o pasto a menos que el sistema de escape del motor esté equipado con un amortiguador de chispas que cumpla con las leyes locales o estatales vigentes (si las hay).

Si se utiliza un amortiguador de chispas el operador lo debe mantener en condiciones de uso adecuadas. En el Estado de California, las medidas anteriormente mencionadas son exigidas por ley (Artículo 4442 del Código de Recursos Públicos de California). Es posible que existan leyes similares en otros estados. Las leyes federales se aplican en territorios federales. Puede conseguir el amortiguador de chispas para el silenciador a través de su distribuidor autorizado de motores más cercano o poniéndose en contacto con el departamento de servicios, P.O. Box 361131 Cleveland, Ohio 44136-0019.

## Símbolos de seguridad

En esta página se presentan y describen los símbolos de seguridad que pueden aparecer en este producto. Lea, comprenda y siga todas las instrucciones incluidas en la máquina antes de intentar armarla y hacerla funcionar.

Símbolo	Descripción
	LEA LOS MANUALES DEL OPERADOR Lea, entienda y siga todas las instrucciones incluidas en los manuales antes de intentar armar la unidad y hacerla funcionar.
	PELIGRO — CUCHILLAS GIRATORIAS Nunca lleve pasajeros. Nunca transporte niños, ni siquiera después de haber desconectado las cuchillas.
	PELIGRO — CUCHILLAS GIRATORIAS Se recomienda no cortar marcha atrás.
	PELIGRO — CUCHILLAS GIRATORIAS No coloque las manos ni los pies cerca de piezas que giran ni debajo de la plataforma de corte. El contacto con las cuchillas puede amputar manos y pies.
	PELIGRO — CUCHILLAS GIRATORIAS Mire hacia abajo y hacia atrás antes y mientras se desplaza marcha atrás, para evitar un accidente al retroceder.
	ADVERTENCIA - OBJETOS LANZADOS Esta máquina puede recoger y lanzar objetos que pueden causar lesiones personales graves.
	PELIGRO — DISPOSITIVOS DE SEGURIDAD Mantenga los dispositivos de seguridad (guardas, protectores, interruptores, etc.) en su lugar y funcionando.
	ADVERTENCIA — OBSERVADORES Mantenga a los observadores, ayudantes, mascotas y niños por lo menos a 75 pies (23 m.) de la máquina mientras está en funcionamiento.
	ADVERTENCIA — OPERACIÓN EN PENDIENTE No utilice esta máquina en una pendiente mayor de 15°. No corte en sentido transversal a la pendiente. Corte hacia arriba y hacia abajo en las pendientes no mayores de 15°. Evite realizar giros abruptos. Conduzca a baja velocidad. Si la máquina se para mientras sube la pendiente, pare las cuchillas y retroceda lentamente para abajo.
	ADVERTENCIA— SUPERFICIE CALIENTE Las piezas del motor, especialmente el silenciador, se recalientan durante la operación. Deje que el motor y el silenciador se enfríen antes de tocarlos.
	PELIGRO — CUCHILLAS GIRATORIAS Para reducir el riesgo de lesiones, mantenga alejados manos y pies. No haga funcionar sin que la tapa de descarga o el colector de césped se encuentren en el lugar que corresponde. Si están dañados, reemplácelos inmediatamente.
	ADVERTENCIA — RIESGO DE INCENDIO Deje que la máquina se enfríe antes de cargar combustible o almacenarla.
	ADVERTENCIA — RIESGO DE INCENDIO No conduzca sobre pilas de hojas secas o pasto alto.
	ADVERTENCIA — RIESGO DE INCENDIO No permita que se acumulen residuos. La acumulación de desechos puede dar lugar a un incendio.

e



**¡ADVERTENCIA!** Su Responsabilidad. Sólo permita que usen esta máquina eléctrica las personas que lean, comprendan y respeten las advertencias instrucciones que aparecen en este manual y en la máquina.

**¡GUARDE ESTAS INSTRUCCIONES!**

## Indicador de pendiente

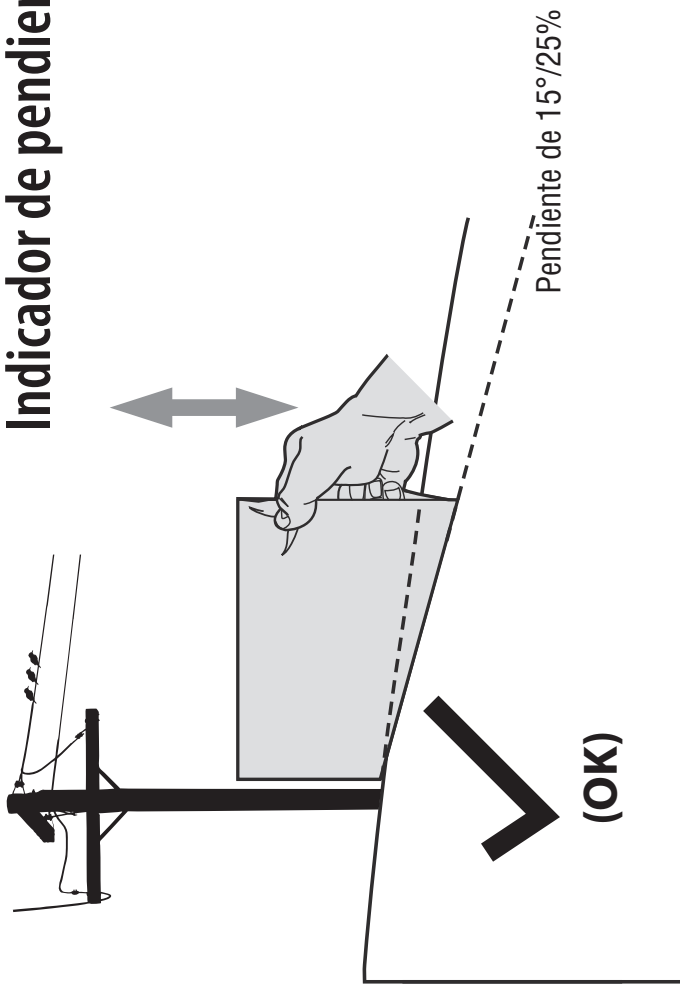


Figura 1

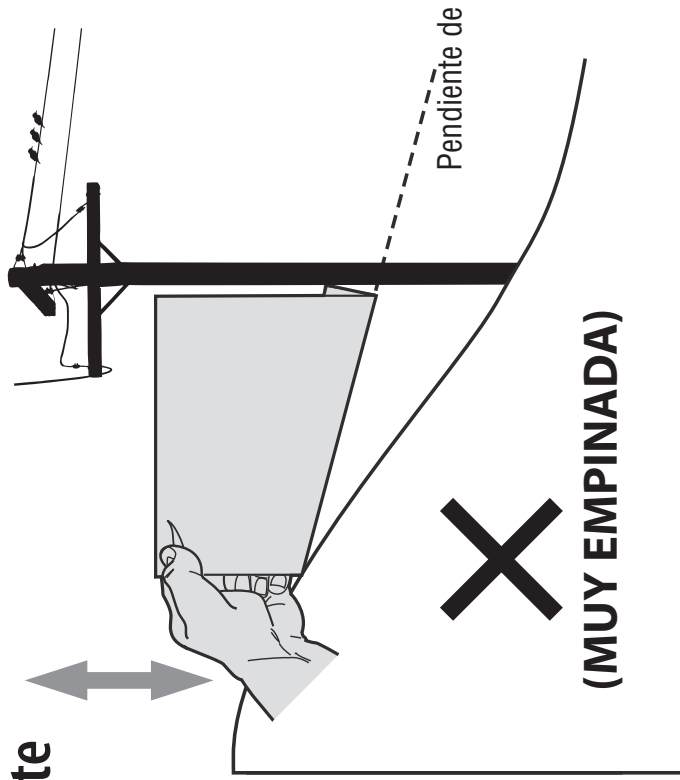


Figura 2

*Línea de puntos a 15°/25%*

**¡USE ESTE INDICADOR DE PENDIENTE PARA DETERMINAR SI UNA PENDIENTE ES DEMASIADO EMPINADA PARA SU SEGURIDAD!**

Para comprobar la pendiente, proceda de la siguiente manera:

1. Separe esta página y pliéguela por la línea de puntos.
2. Ubique un objeto vertical que se encuentre sobre o detrás de la pendiente (un poste, un edificio, un árbol, etc.)
3. Alinee uno de los dos lados del indicador de pendiente con el objeto (vea las Figuras 1 y 2).
4. Ajuste el indicador hacia arriba o hacia abajo hasta que la esquina izquierda toque la pendiente (vea las Figuras 1 y 2).
5. Si hay una separación debajo del indicador, la pendiente es demasiado empinada para operar con seguridad (vea la Figura 2 anterior).



**¡ADVERTENCIA!** Las pendientes son uno de los principales factores asociados a los accidentes por tumbos y vuelcos que pueden producir lesiones graves o la muerte. No utilice la máquina en pendientes de más de 15°. Todas las pendientes exigen precaución adicional. Si no puede retroceder por la pendiente o si no se siente seguro, no realice ningún corte. Siempre corte hacia arriba y hacia abajo de las pendientes, nunca de manera transversal.

## Muchas gracias

Gracias por comprar este producto. Ha sido cuidadosamente diseñado para brindar excelente rendimiento si se lo hace funcionar y se lo mantiene correctamente.

Por favor lea todo este manual antes de hacer funcionar el equipo. El manual le indica cómo configurar, hacer funcionar y mantener la máquina de manera fácil y segura. Por favor asegúrese de que usted, y cualquier otra persona que utilice la máquina, siga atentamente y en todo momento las medidas de seguridad recomendadas. De lo contrario, se podrían producir lesiones personales o daños materiales.

Toda la información contenida en este manual hace referencia a la información más reciente sobre el producto que está disponible al momento. Revise el manual frecuentemente para familiarizarse con la máquina, sus características y su funcionamiento. Por favor, tenga en cuenta que este Manual del Operador puede abarcar una variedad de especificaciones para productos de diversos modelos. Es posible que las características y funciones incluidas y/o ilustradas en este manual no se apliquen a todos los modelos. Nos reservamos el derecho de modificar las especificaciones de los productos, diseños y equipos sin previo aviso y sin generar responsabilidad por obligaciones de ningún tipo.

Si corresponde, la información sobre las prueba de potencia utilizada para determinar la potencia nominal del motor equipado en esta máquina se puede consultar en [www.opei.org](http://www.opei.org) o en el sitio web del fabricante del motor.

Si tiene algún problema o duda con respecto a esta máquina, llame a su distribuidor de servicio local autorizado o póngase en contacto directamente con nosotros. Queremos garantizar su entera satisfacción en todo momento.

En este manual, todas las referencias al lado *derecho* o *izquierdo* de la máquina se hacen observándola desde la posición de operación.

## Contenido del cajón

- Tractor (1)
- Tapa del capó (1) †
- Paragolpes delantero (1) †
- Manual del Operador (1)
- Cubierta de instrumentos (1) †
- Manual del Operador del Motor (1)
- Volante Asm. (1) †

† — Si está equipado

**NOTA:** Este manual del operador abarca numerosos modelos. Las características del tractor pueden variar según los modelos. No todas las características que se incluyen en este manual se aplican a todos los modelos de tractor y la máquina que se ilustra aquí puede diferir de la suya.

**NOTA:** Las referencias que contiene este manual sobre los lados derecho o izquierdo y trasero o delantero del tractor se hacen siempre desde la posición de operación. Las excepciones, si las hubiere, serán especificadas.

## Herramientas necesarias

- Llave de 5/16" y / o zócalo
- Llave de 5/8" y / o zócalo
- Llave de 1/2" y / o zócalo
- Llave de 7/16" y / o toma de corriente
- destornillador Phillips
- Destornillador estándar

## Preparación del tractor

### Movimiento manual del tractor

#### ⚠ PRECAUCIÓN

Nunca remolque su tractor. Si se remolca el tractor con las ruedas traseras apoyadas en el suelo se pueden producir daños graves en la transmisión.

1. Acople las varillas de derivación de la transmisión para mover el tractor manualmente sin ponerlo en marcha. Las varillas de derivación de la transmisión están ubicadas en la parte trasera del tractor, sobre el chasis. Acople la varilla de derivación tirando hacia afuera. Vea la Figura 2-1.

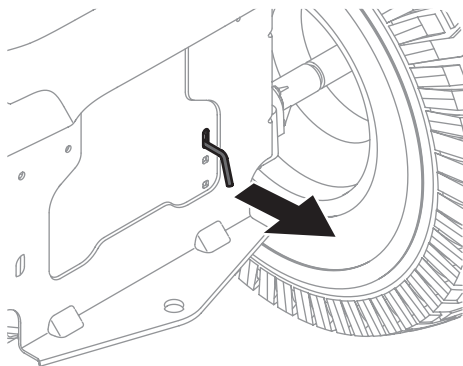


Figura 2-1

**NOTA:** Si el tractor no se mueve o no se mueve libremente al empujarlo compruebe si la palanca de derivación está completamente abierta o si el freno está activado.

**NOTA:** La transmisión NO se engancha cuando la varilla de derivación hidrostática se tira hacia fuera. Regrese la varilla a su posición normal antes de operar el tractor. Si el tractor no se mueve al presionar sobre los pedales de avance/retroceso, o se mueve lentamente, compruebe que la válvula de derivación esté activa.

2. Después de mover el tractor, desacople la varilla de derivación empujando la varilla hacia adentro. Vea la Figura 2-1.

### Instale el asiento del operador (si corresponde)

#### ⚠ ADVERTENCIA

Antes de hacer funcionar el tractor, compruebe que el asiento esté enganchado en el tope del asiento. Ponga el freno de mano. Párese detrás de la máquina y tire el asiento hacia atrás hasta que haga clic al calzar en su lugar.

Para instalar el asiento proceda de la siguiente manera:

1. Corte cualquier tira que sujete el conjunto del asiento al tractor. Quite cualquier material de empaque.
 

**NOTA:** El asiento se envía con el interruptor de asiento y el contenedor del asiento acoplados.
1. Corte cualquier tira que sujete el conjunto del asiento al tractor. Quite cualquier material de empaque.
 

**NOTA:** Tenga cuidado para no cortar el cableado que conecta el asiento al interruptor del asiento.

2. Quite los dos tornillos con reborde (a) y las tuercas de seguridad con brida del contenedor (b) del asiento tal como se muestra en Figura 2-2.

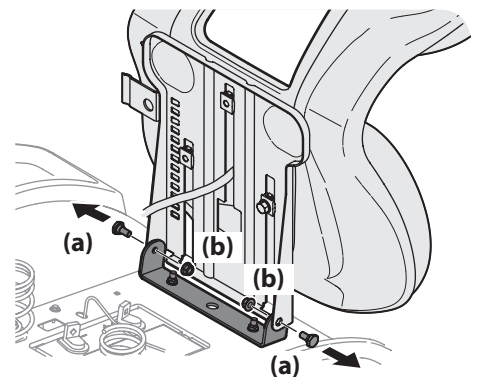


Figura 2-2

**NOTA:** Verifique que los cojinetes de brida de nylon (si están equipados) permanecen en su lugar en los orificios de montaje del soporte del asiento. Si se salen cuando se quitan los tornillos con reborde y las tuercas de seguridad con brida asegúrese de reemplazarlos antes de instalar el asiento.

3. Gire el asiento hasta la posición deseada y asegúrelo en su lugar con los tornillos de reborde (a) y las tuercas de seguridad con brida (b) que extrajo antes. Tenga cuidado de no doblar o dañar el cableado mientras instala el asiento. Vea la Figura 2-3.

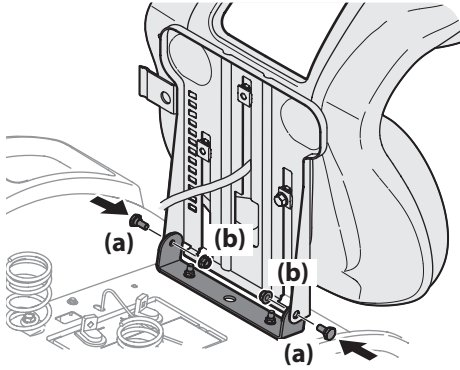


Figura 2-3

4. Usando la traba del arnés unida al arnés, asegure el exceso de cable al guardabarros colocando la traba del arnés en su lugar como se muestra en la Figura 2-4.

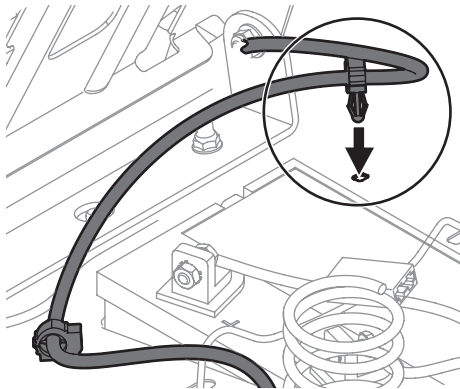


Figura 2-4

**Baje el deflector del canal de descarga de la plataforma**

<p><b>⚠ ADVERTENCIA</b></p> <p>Nunca opere la plataforma de corte sin el deflector del canal de descarga instalado y en posición baja.</p>
--

1. Inspeccione la plataforma de la cortadora para ver si hay una traba de seguridad que puede estar sujetando el deflector del canal hacia arriba para el envío. Si la traba está presente, se la debe extraer antes de hacer funcionar el tractor. Sosteniendo el canal deflector totalmente hacia arriba, extraiga la traba de seguridad. Baje el canal deflector y descarte la traba de seguridad. Vea la Figura 2-5.

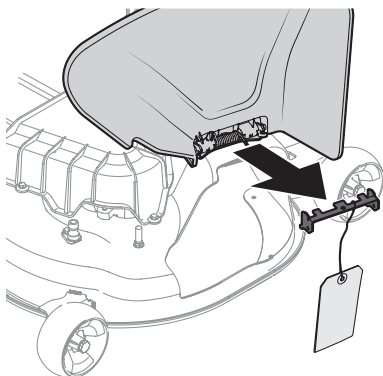


Figura 2-5

**Instalación del collar de la capucha (si es necesario)**

Hay tres (3) postes de alineación (a) en el cuello de la campana (b) que se alinean con los agujeros de alineación correspondientes (c) en la campana (d). Ver Figura 2-6.

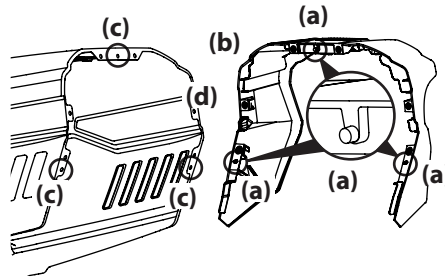


Figura 2-6

Utilice estos puntos de alineación para colocar correctamente el collarín de la campana (a) y luego asegúrelo en su lugar con los seis tornillos hexagonales (b) suministrados en la bolsa de hardware. Ver Figura 2-7. Apriete los pernos hexagonales a 102-124 in.-lbs.

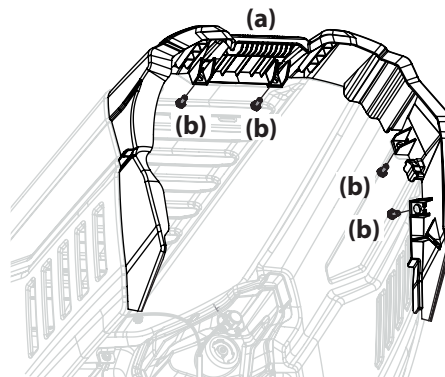


Figura 2-7

**Instalación de la tapa del capó (si corresponde)**

Para instalar la tapa del capó (a), alinear los orificios de la tapa del capó (a) con las lengüetas (b) del cuerpo del capó como se muestra en la Figura 2-8. Inserte las lengüetas (b) en la tapa del capó y tire hacia atrás para trabar en su lugar.

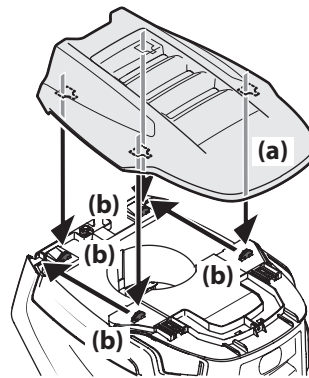


Figura 2-8

Una vez que el adorno de campana está en su lugar, las dos lengüetas de bloqueo (a) cerca de la parte trasera de la campana tienen que ser empujadas hacia arriba para bloquear el adorno de campana en su lugar. Vea la Figura 2-9.

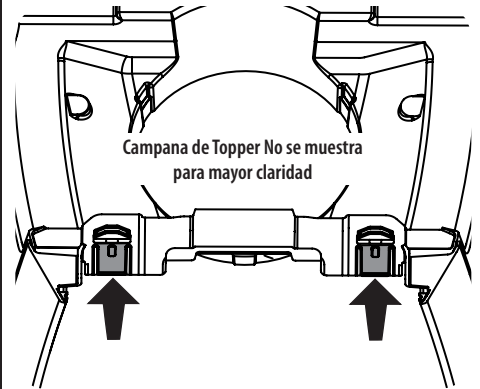


Figura 2-9

**Instalación de la tapa de la caperuzita de tornillo (si es necesario)**

**Nota:** Tenga cuidado de no dañar el arnés del faro cuando instale el capuchón de la tapa rosca.

Coloque la tapa de la campana contra la parte superior de la campana con la tapa abierta y alinee los orificios de la campana.

Fije la tapa de la caperuzita de apriete (a) desde abajo, apriete a mano los tornillos (b) en la mitad trasera de la campana y luego apriételos. Ver Figura 2-10.

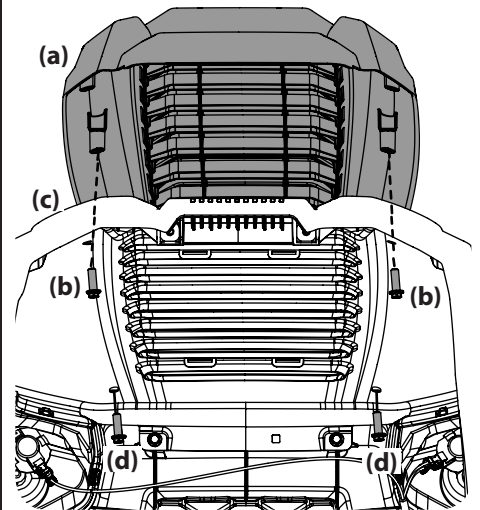


Figura 2-10

Con los tornillos traseros en su lugar, alinee los orificios de la campana (a) con los orificios de la campana (c) y asegúrelos con los dos tornillos restantes (d). Ver Figura 2-10.

Apriete los cuatro tornillos a 16-24 in.-lbs.



## Instalación del Plenum (si es necesario)

**Nota:** Tenga cuidado de no dañar el arnés del faro cuando instale el plenum.

Para instalar el plenum (a) en la campana (b), primero inserte las lengüetas traseras (c) como se muestra en Figura 2-11.

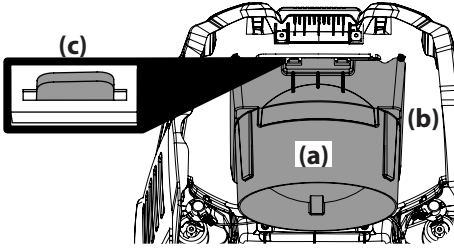


Figura 2-11

Con las lengüetas traseras instaladas, inserte las lengüetas delanteras (a) en el plenum (b) como se muestra en Figura 2-12.

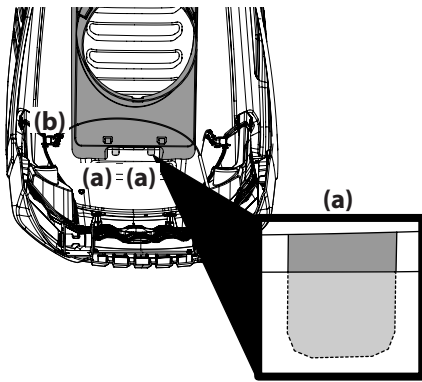


Figura 2-12

**Nota:** Las lengüetas traseras encajan en un área empotrada en la parte superior de la campana. Se deslizan hacia arriba desde debajo de la capucha y en estas áreas empotradas.

Empuje hacia arriba la parte inferior del plenum para asegurarse de que el plenum está firmemente en su lugar.

Asegure el arnés de la linterna (a) en las dos guías (b) en la parte frontal del plenum. See Figura 2-13.

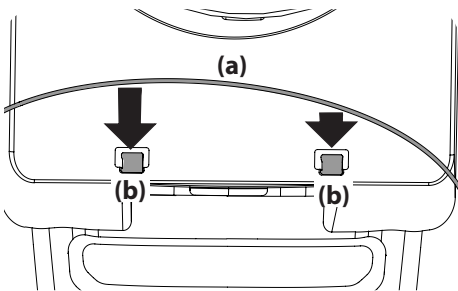


Figura 2-13

## Instalación de la cubierta del tablero (si corresponde)

Para instalar la cubierta del tablero (a), alinee las lengüetas (b) de la cubierta del tablero (c) con los orificios de la parte superior del tablero como se muestra en Figura 2-14. Coloque las lengüetas (b) en los orificios de la parte superior del tablero y empuje hacia adelante (c) la cubierta del tablero (a) para trazarla en su lugar.

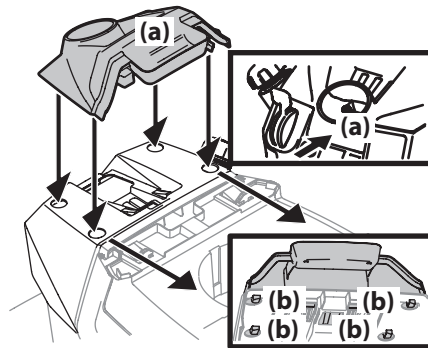


Figura 2-14

**NOTA:** Asegúrese de oprimir sobre la parte inferior de la tapa del tablero frente a la posición del operador para asegurar que las lengüetas inferiores de la tapa del tablero están en su lugar.

## Instalación del volante (si corresponde)

Los accesorios para fijar el volante se han embalado dentro del volante, debajo de la tapa del volante. Extraiga con cuidado la tapa del volante mediante palanca y retire los accesorios.

**¡IMPORTANTE!** No utilice herramientas de impacto para instalar o extraer el volante. Si lo hace, puede ocasionar daños en componentes críticos de la dirección de potencia.

1. Con las ruedas del tractor apuntando recto hacia adelante, alinee el volante (a) usando la línea central (b) de la parte delantera del volante (a) que apunta hacia adelante y la sección plana del volante (c) orientada hacia el asiento, coloque el volante (a) sobre el árbol de la dirección (d). Vea la Figura 2-15.

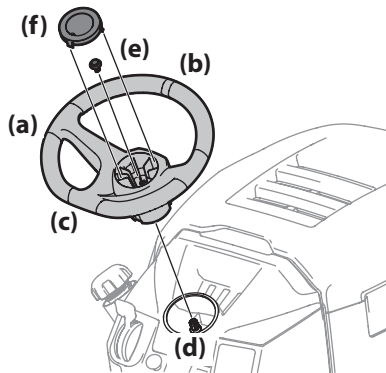


Figura 2-15

2. Asegure el volante (a) con el perno hexagonal (e) que está debajo de la tapa del volante (f) y aplique un par de ajuste de 18 a 22 ft/lb.
3. Coloque la tapa del volante (f) sobre el centro del volante (a) y empuje hacia abajo hasta que haga clic al calzar en su lugar.

**NOTA:** El perno hexagonal (e) que asegura el volante (a) tiene sellador de rosca; de modo que, si se extrae el perno hexagonal (a), se recomienda reemplazarlo o volver a aplicarle sellador de rosca.

## Instalación del paragolpes delantero (si corresponde)

Los accesorios para fijar el paragolpes delantero se despachan instalados en el paragolpes.

1. Saque los cuatro tornillos hexagonales (a) del paragolpes (b).
2. Coloque los soportes del paragolpes hacia el interior del bastidor del tractor y fíjelos en su lugar con los cuatro tornillos hexagonales con reborde (a). Vea la Figura 2-16.

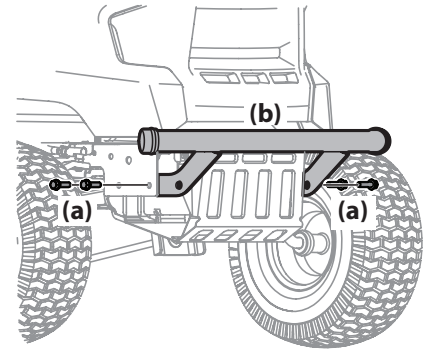


Figura 2-16

## Ajuste del asiento

Para ajustar la posición del asiento, levante la palanca de ajuste del asiento. Deslice el asiento hacia adelante o hacia atrás hasta la posición deseada; luego suelte la palanca de ajuste. Asegúrese de que el asiento esté fijo en su posición antes de operar el tractor. Vea la Figura 2-17.

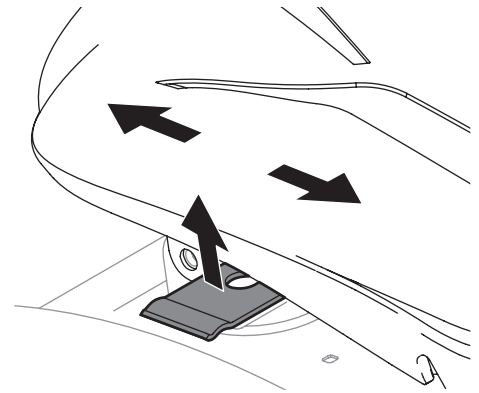


Figura 2-17

## Conexión de los cables de la batería

### ⚠ ADVERTENCIA

**PROPOSICIÓN 65** de California: Los bornes y contactos de la batería, y los accesorios afines contienen plomo y compuestos de plomo, sustancias químicas que el Estado de California considera que pueden producir cáncer y daños en el sistema reproductivo. Lávese las manos después de estar en contacto con estos componentes.

### ⚠ PRECAUCIÓN

Cuando coloque los cables de la batería, conecte siempre primero el cable POSITIVO (rojo) a su borne, y a continuación el cable NEGATIVO (negro).

Por razones relacionadas con el envío, los dos cables de la batería de su equipo se pueden haber dejado desconectados de los terminales en fábrica. Para conectar los cables de la batería, proceda de la siguiente manera:

**NOTA:** El borne positivo de la batería está marcado como Pos (+). El borne negativo de la batería está marcado como Neg (-).

3. Retire la cubierta plástica, si está presente, del borne positivo de la batería y una el cable rojo al borne positivo de la batería (+) utilizando el perno (a) y la tuerca hexagonal (b). Vea la Figura 2-18.

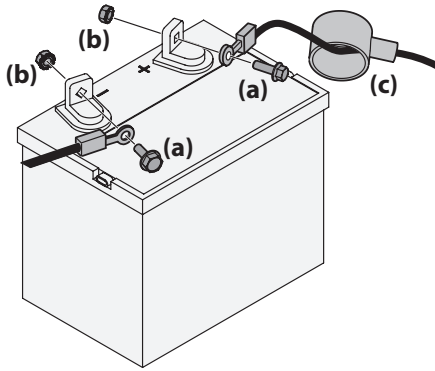


Figura 2-18

4. Retire la cubierta plástica, si está presente, del borne negativo de la batería y una el cable negro al borne negativo de la batería (-) utilizando el perno (a) y la tuerca hexagonal (b). Vea la Figura 2-18.
5. Coloque el capuchón de goma rojo (c) sobre el borne positivo de la batería para protegerlo contra la corrosión.

**NOTA:** Si la batería se pone en funcionamiento después de la fecha indicada en su parte superior o al costado de la misma, cárguela siguiendo las instrucciones de la página 8 de la sección Cuidado del producto de este manual antes de operar el tractor.

#### Control de la presión de los neumáticos

##### ⚠ ADVERTENCIA

Se debe mantener una presión uniforme para todos los neumáticos en todo momento. Consulte cuál es la presión adecuada en los laterales de los neumáticos.

Es posible que los neumáticos del tractor se hayan inflado demasiado para despacharlo. Reduzca la presión de los neumáticos antes de hacer funcionar el tractor. Consulte en los laterales de los neumáticos la presión máxima en psi.

**NOTA:** Es fundamental mantener una presión uniforme de los neumáticos para un funcionamiento nivelado de la plataforma de corte.

#### Ajuste de las ruedas de la plataforma

##### ⚠ ADVERTENCIA

Mantenga las manos y los pies alejados de la abertura de descarga de la plataforma de corte.

**NOTA:** Las ruedas de la plataforma constituyen un mecanismo para el cuidado del césped y no fueron diseñadas para soportar el peso de la plataforma de corte.

Mueva el tractor a una superficie firme y nivelada, preferentemente sobre el pavimento, y realice lo siguiente:

1. Controle la presión de los neumáticos, asegúrese que es la correcta e igual en todos los neumáticos.
2. Asegúrese de que la plataforma está nivelada, de atrás hacia adelante y de lado a lado. Consulte en la sección Cuidado del producto para obtener información e instrucciones para nivelar la plataforma.
3. Seleccione la posición de altura de la plataforma de corte colocando la palanca de elevación de la plataforma en la configuración de altura de corte normalmente deseada.
4. Controle si las ruedas están en contacto con la superficie de abajo o si hay excesiva separación. Las ruedas de la plataforma deben tener entre  $\frac{1}{4}$  y  $\frac{1}{2}$  pulgada de separación respecto del suelo. Proceda como se indica a continuación para ajustar las ruedas:
  - a. Levante el tirador de elevación de la plataforma hasta el punto más alto.
  - b. Retire las ruedas delanteras (a) y traseras (b) de la plataforma retirando las tuercas de seguridad con (c) brida y los tornillos con reborde (d) que las sujetan a la plataforma. Vea la Figura 2-19.

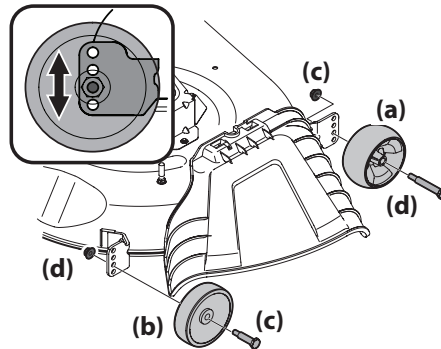


Figura 2-19

- c. Coloque la palanca de elevación de la plataforma en el ajuste de altura de corte deseado.
- d. Vuelva a insertar los pernos con reborde (con cada rueda de la plataforma) dentro del orificio de posicionamiento que deja aproximadamente  $\frac{1}{2}$  pulgada entre la parte inferior de la rueda y el pavimento. Apriete la tuerca de seguridad con brida y el tornillo con reborde hasta lograr entre 25 a 30 libras-pie con una llave de torsión.

**NOTA:** Consulte Ajuste de la plataforma en la sección Cuidado del producto de este manual donde encontrará instrucciones más detalladas sobre varios ajustes de la plataforma.

#### Gasolina y aceite

El depósito de combustible se encuentra en la parte exterior/izquierda del tablero y contiene 3 galones de gas (los tractores EFI tienen una capacidad de 2,5 galones). Extraiga la tapa de combustible girándola hacia la izquierda. Sólo se debe utilizar gasolina limpia, nueva (con menos de 30 días de antigüedad) y sin plomo. Llène el depósito sin superar el nivel del cuello de llenado para dejar espacio para la dilatación del combustible.

##### ⚠ ADVERTENCIA

Tenga mucho cuidado al trabajar con gasolina. La gasolina es sumamente inflamable y sus vapores son explosivos. Nunca agregue combustible a la máquina en espacios cerrados ni mientras el motor está caliente o funcionando. Apague cigarrillos, cigarras, pipas y otras fuentes de combustión.

**NOTA:** Su tractor se despacha con aceite en el motor. Sin embargo, usted DEBE controlar el nivel de aceite antes de hacerlo funcionar. Consulte la sección Cuidado del producto para ver instrucciones sobre cómo controlar, agregar y cambiar el aceite.

##### ⚠ PRECAUCIÓN

Controle siempre el nivel de aceite del motor antes de cada uso según se indica en el manual de funcionamiento del motor. Agregue aceite según sea necesario. De no hacerlo se pueden producir daños graves al motor.

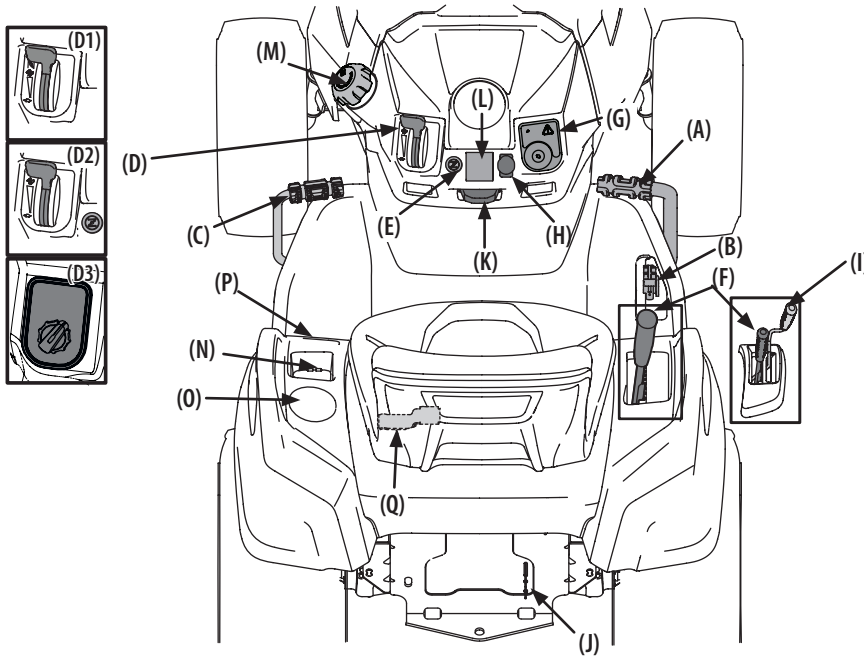


Figura 3-1

**NOTA:** Este manual del operador abarca numerosos modelos. Las características del tractor pueden variar según los modelos. No todas las características que se incluyen en este manual se aplican a todos los modelos de tractor y la máquina que se ilustra aquí puede diferir de la suya.

**NOTA:** Las referencias a IZQUIERDA, DERECHA, ADELANTE Y ATRÁS indican esa posición desde el asiento del operador en el tractor, mirando hacia adelante.

**⚠ ADVERTENCIA**

Lea y observe todas las normas e instrucciones de seguridad de este manual, incluida toda la sección de funcionamiento, antes de poner esta máquina en marcha. Si no se respetan todas las normas e instrucciones de seguridad se pueden provocar lesiones.

**Pedal de marcha adelante (A)**

El pedal de marcha adelante está ubicado a la derecha de la máquina, sobre el estribo. Presione el pedal de marcha adelante hacia adelante para que el tractor se mueva en esa dirección. La velocidad absoluta también se controla con el pedal de marcha adelante. Cuanto más se gire el pedal hacia adelante, más rápido se moverá el tractor. El pedal volverá a su posición original cuando deje de oprimirlo.

**Pedal de marcha atrás (B)**

El pedal de marcha atrás está ubicado a la derecha del tractor, sobre el estribo. La velocidad absoluta también se controla con el pedal de marcha atrás. Cuanto más se gire el pedal hacia abajo, más rápido se moverá el tractor. El pedal volverá a su posición original cuando deje de oprimirlo.

**Pedal de freno (C)**

El pedal del freno está ubicado del lado izquierdo del tractor, sobre el estribo. El pedal del freno se puede usar para detener el tractor o para colocar el freno de mano.

**NOTA:** Se debe oprimir a fondo el pedal del freno para activar el interruptor de interbloqueo de seguridad al arrancar el tractor.

**Palanca de control del acelerador, Cebador y control del acelerador Gobernador de motor electrónico (D)**

**Palanca de control del acelerador/cebador (si está equipada) (D1)**

La palanca de control del acelerador/cebador está ubicada del lado izquierdo del tablero de instrumentos del tractor. Esta palanca controla la velocidad del motor y, cuando se la empuja completamente hacia adelante, más allá de la posición de detención, también cierra el cebador para arranques en frío. Cuando se lo coloca en una posición determinada, el acelerador mantiene una velocidad de motor uniforme.

**Nota:** Cuando opere el tractor con la plataforma de corte colocada, asegúrese de que la palanca del acelerador/cebador esté siempre en la posición FAST (velocidad rápida, representada por una liebre).

**Control del acelerador (si está equipado) (D2)**

El control del acelerador está ubicado del lado izquierdo del tablero de instrumentos del tractor. Cuando se lo coloca en determinada posición, se mantiene una velocidad de motor uniforme.

Empuje la palanca de control del acelerador hacia adelante para aumentar la velocidad del motor. El tractor está diseñado para funcionar con el control del acelerador en posición RÁPIDA (aceleración máxima) cuando la plataforma de la cortadora está activada.

Tire de la palanca de control del acelerador hacia atrás para reducir la velocidad del motor.



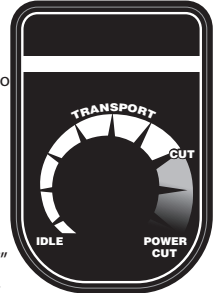
**Gobernador de motor electrónico (si está equipado) (D3)**

El gobernador de motor electrónico está ubicado del lado izquierdo del tablero de instrumentos del tractor. Cuando se lo coloca en determinada posición, se mantiene una velocidad de motor uniforme.

Use los ajustes dentro del rango "CUT" cuando la plataforma de corte está enganchada. Use la configuración de "POWER CUT" para césped más alto y grueso.

**Nota:** Después de comenzar, el gobernador de motor electrónico puede tardar unos segundos en ajustarse a la velocidad adecuada del motor. Esto es normal.

**Nota:** Si el tractor está equipado con un control de gobernador electrónico, la máquina puede iniciarse a cualquier ajuste de velocidad a lo largo del dial y se ajustará automáticamente al ajuste de velocidad del motor deseado.



**Control del cebador (si está equipado) (E)**

El control del cebador está ubicado sobre el tablero de instrumentos a la derecha del control del acelerador/cebador o del acelerador y controla la posición del cebador del motor. Tire de la perilla hacia afuera/arriba para cebar el motor; empuje la perilla hacia adentro/abajo para abrir el cebador.



**Palanca de elevación de la cubierta (F)**

**Tractores con PTO eléctrica**



**Tractores con PTO manual**



La palanca de elevación se encuentra en el guardabarros derecho y se utiliza para levantar y bajar la plataforma. Tire de la palanca hacia la izquierda para sacarla de la muesca y empuje hacia abajo para bajar la plataforma o hacia arriba para levantarla. Cuando alcance la altura deseada, mueva la palanca de elevación hacia la derecha para que encaje totalmente en la muesca de posición.

**Módulo de encendido (G)**

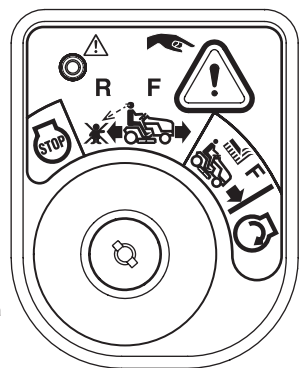
**Arranque con llave**

**⚠ ADVERTENCIA**

Nunca deje la máquina en funcionamiento sin vigilancia. Siempre desconecte la potencia de arranque (PTO), coloque el freno de mano, apague el motor y retire la llave, para evitar que alguien encienda accidentalmente el motor.

Para arrancar el motor, inserte la llave en el interruptor de encendido y gírela hacia la derecha a la posición START (encendido). Suelte la llave en la posición MODO DE CORTE NORMAL cuando el motor haya arrancado.

Para detener el motor, gire la llave de encendido hacia la izquierda a la posición STOP (detención).



### ⚠ PRECAUCIÓN

Antes de hacer funcionar el tractor, consulte tanto Interruptores de bloqueo de seguridad como Arranque del motor en la sección Funcionamiento de este manual para ver instrucciones detalladas sobre el módulo del interruptor de encendido y cómo operar el tractor en MODO DE PRECAUCIÓN MARCHA ATRÁS.

### PBS (arranque con botón pulsador)/avisador de servicio y medidor horario con Bluetooth® (si está equipado)

Los tractores con PBS pueden venir equipados con o sin Bluetooth®. Si está incluido, conecte su avisador de servicio y medidor horario activado por Bluetooth® a su teléfono inteligente descargando la aplicación para su dispositivo Android o iOS compatible con Bluetooth®.

Esta es una forma novedosa e innovadora de interactuar directamente con su equipo motorizado para el exterior a través de su dispositivo móvil.

El panel de instrumentos de mantenimiento automatizado y el registro de la aplicación le ayudarán a mantener la máquina funcionando al máximo rendimiento y a proteger su inversión al mantener un registro total de las horas de uso del equipo durante toda su vida útil.

Reciba notificaciones de alerta cuando llegue el momento de realizar las tareas de mantenimiento esenciales. El panel de instrumentos proporciona supervisión en tiempo real e indica cuándo es el momento de revisar o cambiar el aceite, el filtro de aire, las cuchillas o la batería. También le permite ubicar y contactar centros de servicio, acceder a instrucciones paso a paso para realizar mantenimiento de rutina y comprar piezas de repuesto directamente desde su dispositivo móvil.

Simplemente descargue la aplicación y siga las instrucciones rápidas paso a paso sobre cómo sincronizar su dispositivo móvil con el equipo.



### ⚠ ADVERTENCIA

Nunca deje la máquina en funcionamiento sin vigilancia. Siempre desconecte la toma de fuerza (PTO), ponga el freno de mano, pare el motor y retire la llave.

Para arrancar el motor, inserte la llave de encendido y presione durante 1.5 segundos hasta que el motor comience a arrancar. Si el motor no se enciende una vez que hayan transcurrido 5 segundos, se producirá una demora de 3 segundos. Suelte la llave y presiónela nuevamente para intentar encender el motor.

**NOTA:** Si se presiona el MODO DE PRECAUCIÓN EN MARCHA ATRÁS durante el encendido, se interrumpe la secuencia de encendido, y es necesario volver a iniciarla.

Para detener el motor, presione o extraiga la llave de encendido.

### ⚠ PRECAUCIÓN

Antes de hacer funcionar el tractor, consulte tanto Interruptores de bloqueo de seguridad como Arranque del motor en la sección Funcionamiento de este manual para ver instrucciones detalladas sobre el módulo del interruptor de encendido y cómo operar el tractor en MODO DE PRECAUCIÓN MARCHA ATRÁS.

Cuando se inserta y se oprime la llave de encendido durante menos de 1,5 segundos, el LCD avisador de servicio y medidor horario mostrará brevemente la tensión de la batería, seguido de las horas acumuladas del tractor.

**NOTA:** Las horas de funcionamiento del tractor se registran solamente cuando el motor está funcionando.

El LCD avisador de servicio le recuerda al operador los intervalos de mantenimiento para el cambio del aceite del motor, el servicio del filtro de aire, las advertencias de bajo nivel de aceite y poca batería.

### Cambiar el aceite

El LCD mostrará las letras "CHG" (cambiar), seguidas de las letras "OIL" (aceite) durante dos horas después de que después el medidor llegue a 50 horas. Este intervalo del avisador de servicio de aceite se producirá cada 50 horas. Antes de que finalice el intervalo, cambie el de aceite del motor según se indica en este Manual del operador del motor.

### Función "Nivel bajo de aceite" (si está incluida)

Las letras "LO" (nivel bajo) seguidas de las letras "OIL" (aceite), seguidas luego de la palabra "PRESSURE" (presión) indicarán que el tractor tiene poco aceite. Cuando un motor no está en funcionamiento e inmediatamente después de que el motor arranque, la presión de aceite puede estar baja. Esto puede activar el texto "LO" "OIL" (nivel bajo de aceite). Esto es normal. Si la indicación de nivel bajo de aceite persiste, pare el tractor inmediatamente y compruebe el nivel de aceite del motor según las instrucciones del Manual del operador del motor.

**NOTA:** La función "LOW OIL" (nivel bajo de aceite) solo funciona si el motor tiene un interruptor de presión de aceite.

### Batería baja/batería alta

Al arrancar, se visualiza fugazmente el voltaje de la batería y luego cambia a horas acumuladas. Aparecerá el indicador de la batería, seguido por las letras "LO" (bajo) y luego por las letras "BATT" (batería) en la pantalla LCD cuando el voltaje se reduce a menos de 11.0 voltios. Cuando esto ocurre, significa que se debe cargar la batería o que el sistema de carga del motor no genera suficiente amperaje. Cargue la batería como se indica en la sección Cuidado del producto de este manual o haga controlar el sistema de carga por su distribuidor de servicio local.

Al arrancar, se visualiza fugazmente el voltaje de la batería y luego cambia a horas acumuladas. Aparecerá el indicador de la batería, seguido por las letras "HI" (alto) y luego por las letras "BATT" (batería) en la pantalla LCD cuando el voltaje se incremente a más de 16.0 voltios. Cuando esto ocurra, haga el revisar el sistema de carga por su distribuidor de servicio local.

### Interruptor de la toma de fuerza (PTO) (tractores con PTO eléctrica) (H)

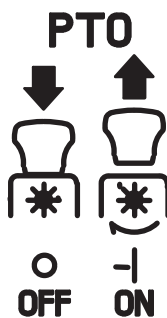
El interruptor de la PTO está ubicado en el tablero de instrumentos a la derecha del LCD avisador de servicio y medidor horario (si está incluido).

Al activar la PTO, se conecta la energía a la plataforma de corte y a otros accesorios (disponibles por separado). Consulte la sección Funcionamiento para ver información e instrucciones sobre cómo usar la PTO.

### Tirador de PTO/enganche de cuchilla (tractores con PTO manual) (I)



La manija de la PTO/de activación de las cuchillas está ubicada en el guardabarros derecho. Al activar la PTO, se conecta la energía a la plataforma de corte y a otros accesorios (disponibles por separado). Consulte la sección Funcionamiento para ver información e instrucciones sobre cómo usar la PTO.

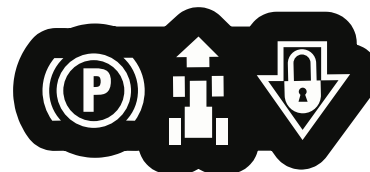


### Varilla de derivación de la transmisión (J)

La varilla de derivación de la transmisión se encuentra en la parte trasera del tractor en la sección inferior derecha del bastidor.

Cuando se engancha, la varilla abre una derivación dentro de las transmisiones hidrostáticas, lo cual permite empujar el tractor a mano distancias cortas. Consulte la sección Armado e Instalación para obtener instrucciones sobre el uso de la función de derivación.

### Palanca del freno de mano/control de crucero (K)



La palanca de freno de mano/control de crucero, que está ubicada en el centro del tablero de instrumentos del tractor, debajo del volante, se utiliza para aplicar el freno de mano y el control de crucero. Consulte la sección Conducción del tractor de este manual para ver instrucciones detalladas sobre el freno de mano.

**NOTA:** Si el operador abandona el asiento y deja el motor en funcionamiento, deberá colocar el freno de mano, o el motor se apagará de forma automática.

**NOTA:** El control de crucero NO podrá activarse a la velocidad absoluta más rápida del tractor.

### ⚠ ADVERTENCIA

Nunca deje la máquina en funcionamiento sin vigilancia. Siempre desconecte la PTO, ponga el freno de mano, pare el motor y retire la llave, para evitar que arranque accidentalmente.

### Medidor horario (L)

#### LCD avisador de servicio y medidor horario (si está incluido)

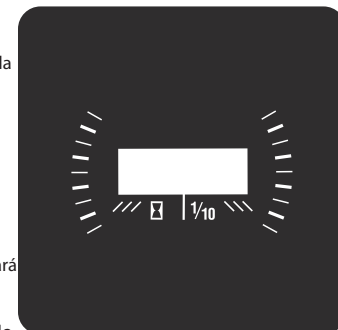
Cuando se gira la llave de encendido de la posición STOP (detención), pero no a la posición de arranque, el LCD avisador de servicio y medidor horario mostrará brevemente la tensión de la batería, seguido de las horas acumuladas del tractor.

**NOTA:** Las horas de funcionamiento del tractor se registran cada vez que se gira la llave de encendido de la posición STOP (detención), independientemente de si el motor arranca.

El LCD avisador de servicio le recuerda al operador los intervalos de mantenimiento para el cambio del aceite del motor, el servicio del filtro de aire, las advertencias de bajo nivel de aceite y poca batería.

### Cambiar el aceite

El LCD mostrará las letras "CHG" (cambiar), seguidas de las letras "OIL" (aceite), seguidas de las letras "SOON" (pronto), y luego finalmente seguidas por el tiempo acumulado del medidor. "CHG/OIL/SOON/TIME" se alternarán en la pantalla durante 7 minutos después de que el medidor llegue a 50 horas. Este intervalo del avisador de servicio de aceite se producirá cada 50 horas. Antes de que finalice el intervalo, cambie el de aceite del motor según se indica en este Manual del operador del motor.



## **Función "Nivel bajo de aceite" (si está incluida)**

Las letras "LO" (nivel bajo) seguidas de las letras "OIL" (aceite), seguidas luego del tiempo acumulado del medidor indicarán que el tractor tiene poco aceite. Cuando un motor no está en funcionamiento e inmediatamente después de que el motor arranca, la presión de aceite puede estar baja. Esto puede activar el texto "LO" "OIL" (nivel bajo de aceite). Esto es normal. Si la indicación de nivel bajo de aceite persiste, pare el tractor inmediatamente y compruebe el nivel de aceite del motor según las instrucciones del Manual del operador del motor.

**NOTA:** La función "LOW OIL" (nivel bajo de aceite) solo funciona si el motor tiene un interruptor de presión de aceite.

## **Poca batería**

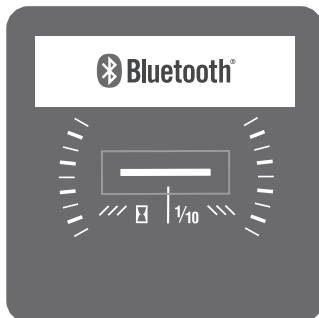
Al arrancar, se visualiza fugazmente el voltaje de la batería y luego cambia a horas acumuladas. Aparecen las letras "LO" (nivel bajo), seguidas de las letras "BATT" (batería), seguidas luego del tiempo acumulado del medidor. "LO/BATT/TIME" se muestra en la pantalla LCD cuando la tensión cae por debajo de 11.5 voltios. Cuando esto ocurre, significa que se debe cargar la batería o que el sistema de carga del motor no genera suficiente amperaje. Cargue la batería como se indica en la sección Servicio de este manual o haga controlar el sistema de carga por su distribuidor de servicio local.

## **Mantenimiento del filtro de aire**

Aparecen las letras "CLN" (limpiar), seguidas de las letras "AIR" (aire), seguidas por "FILT", seguidas luego del tiempo acumulado del medidor. "CLN/AIR/FILT/TIME" se alternarán en la pantalla durante 7 minutos después de que el medidor llegue a 50 horas. Este intervalo del avisador de servicio del filtro de aire será cada 50 horas. En intervalos comunes con el servicio del aceite, aparece el mensaje del aceite primero seguido por el mensaje del filtro de aire.

## **LCD avisador de servicio y medidor horario con Bluetooth® (si está equipado)**

Conecte su avisador de servicio y medidor horario activado por Bluetooth® a su teléfono inteligente descargando la aplicación para su dispositivo Android o iOS compatible con Bluetooth®.



El panel de instrumentos de mantenimiento automatizado y el registro de la aplicación le ayudarán a mantener la máquina funcionando al máximo rendimiento y a proteger su inversión al mantener un registro total de las horas de uso del equipo durante toda su vida útil.

Reciba notificaciones de alerta cuando llegue el momento de realizar las tareas de mantenimiento esenciales. El panel de instrumentos proporciona supervisión en tiempo real e indica cuándo es el momento de revisar o cambiar el aceite, el filtro de aire, las cuchillas o la batería. La aplicación también le permite ubicar y contactar centros de servicio, acceder a instrucciones paso a paso para realizar mantenimiento de rutina y comprar piezas de repuesto directamente desde su dispositivo móvil.

Simplemente descargue la aplicación y siga las instrucciones rápidas paso a paso sobre cómo sincronizar su dispositivo móvil con el equipo.

## **Tapón del depósito de combustible (M)**

El tapón del depósito de combustible está ubicado a la izquierda del tablero de instrumentos. Gire el tapón de llenado para retirarlo. El tapón del combustible está amarrado al tractor para impedir que se pierda. No intente retirar el tapón del tractor. Llene el depósito hasta la base del cuello de llenado, dejando un poco de espacio en el depósito para la dilatación del combustible. No llene en exceso el depósito de combustible.

Empuje el tapón hacia abajo sobre el cuello de llenado del depósito de combustible y gírelo en el sentido de las agujas del reloj para ajustarlo. Siempre vuelva a colocar el tapón de combustible bien ajustado en el depósito después de quitarlo.

### **⚠ ADVERTENCIA**

Nunca realice la recarga de combustible en el depósito si el motor está en funcionamiento. Si el motor está caliente por haber funcionado hasta hace poco, déjelo enfriar varios minutos antes de cargar combustible. La gasolina es muy inflamable y podría salpicar el motor y causar un incendio.

## **Bandeja de almacenamiento (N)**

La bandeja de almacenamiento está ubicada a la izquierda del asiento del operador.

## **Portavasos (O)**

El portavasos está ubicado a la izquierda del asiento del operador.

## **Pedal de bloqueo del diferencial (si está incluido) (P)**

El pedal de bloqueo del diferencial está ubicado a la izquierda del tractor, hacia la parte trasera del estribo cerca de la caja del asiento. La activación del bloqueo del diferencial aumenta la tracción al mantener la misma velocidad de ruedas en las ruedas traseras. Consulte la sección Bloqueo del diferencial para obtener más información sobre el uso del bloqueo del diferencial.

## **Palanca de ajuste del asiento (Q)**

La palanca de ajuste del asiento está ubicada debajo del asiento, a la izquierda. La palanca permite ajustar el asiento del operador hacia adelante o hacia atrás. Consulte la sección Montaje y Configuración para ver instrucciones sobre el ajuste de la posición del asiento.

## **Funcionamiento**


### **⚠ ADVERTENCIA**

Evite lesiones graves o la muerte. Recorra las pendientes hacia arriba y hacia abajo, no de manera transversal. Evite realizar giros abruptos. No opere la unidad en lugares donde podría resbalar o volcarse. Si la máquina se para mientras sube la pendiente, pare la PTO y retroceda lentamente por la pendiente. Mantenga todos los dispositivos de seguridad (guardas, protectores e interruptores) en su lugar y funcionando. Extraiga los objetos que podrían ser arrojados por las cuchillas. Conozca la ubicación y función de todos los controles. Asegúrese de que las cuchillas y el motor se han detenido antes de colocar las manos o los pies cerca de las cuchillas. Antes de abandonar la posición del operador, desactive la PTO, active el bloqueo del freno de mano, apague el motor y saque la llave.

## **Interruptores de interbloqueo de seguridad**

Este tractor está equipado con un sistema de interbloqueo de seguridad para protección del operador. Si el sistema de interbloqueo llegara a funcionar mal, no opere el tractor. Comuníquese con un distribuidor de servicio.

- El sistema de bloqueo de seguridad impide que el motor arranque o se encienda a menos que esté colocado el freno de mano, y la perilla de potencia de arranque (PTO) (enganche de cuchilla) esté en posición de desactivación (OFF).

- Si el operador abandona su asiento antes de colocar el freno de mano, el motor se apagará automáticamente.
- El embrague de la potencia de arranque (PTO) (enganche de cuchilla) eléctrica se apagará automáticamente si el operador abandona el asiento del tractor con la perilla de la potencia de arranque (PTO) (enganche de cuchilla) en la posición de activación (ON), independientemente de que el freno de mano esté colocado o no.
- Con la llave de encendido en la posición de  CORTE NORMAL, el embrague de la PTO (enganche de cuchilla) eléctrica se desconectará automáticamente si la perilla de la potencia de arranque (enganche de cuchilla) se coloca en posición de activación (ON) con el pedal de transmisión en marcha atrás.

### **⚠ ADVERTENCIA**



No opere el tractor si el sistema de interbloqueo funciona mal. El sistema fue diseñado para brindarle seguridad y protección.

## **Arranque del motor**


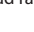
**NOTA:** Consulte la sección Montaje y Configuración de este manual para ver instrucciones sobre el llenado de aceite y gasolina.


Continúe con la sección de abajo para encendido con llave, siga con la sección PBS para encendido con botón pulsador.



## **Encendido con llave**

1. Inserte la llave del tractor en el módulo de encendido.
2. Coloque la palanca de la PTO/enganche de cuchilla en la posición OFF (desactivación).
3. Ponga el freno de mano del tractor .
4. Empuje el control del cebador (si está equipado) hacia arriba, hasta la posición cebador  (activado).


**NOTA:** Si el motor está caliente, tal vez no sea necesario colocar el control del cebador en la posición CHOKE (cebador).

5. Mueva la palanca de control del regulador al medio, entre las posiciones Velocidad rápida  y Velocidad lenta .

**NOTA:** Cuando haga funcionar el tractor asegúrese de que la palanca del acelerador esté siempre en la posición FAST  (velocidad rápida, representada por una liebre). Funcionar con el acelerador a menos de máxima velocidad puede acortar la vida útil de la batería.

6. Gire la llave de encendido hacia la derecha hasta la posición START  (arranque). Una vez que arranque el motor, suelte la llave. Volverá a la posición  CORTE NORMAL.

### **⚠ PRECAUCIÓN**

NO mantenga la llave en la posición ARRANQUE , durante más de diez segundos por vez. Si lo hace, puede ocasionar daños al arrancador eléctrico del motor.

6. Una vez que arranque el motor, desactive el control del cebador (si está incluido).

**NOTA:** NO deje el control del cebador activado mientras opera el tractor (si está incluido). Si lo hace, se generará una mezcla de combustible "rica", lo cual hará que el motor no funcione bien.

## Encendido con PBS

1. Coloque la PTO en la posición de DESACTIVACIÓN (OFF).
2. Aplique completamente el freno del tractor.
3. Mueva el acelerador a la posición FAST (velocidad rápida, representada por una liebre).
4. Inserte la llave de encendido y presiónela.

**NOTA:** Cuando haga funcionar el tractor asegúrese de que la palanca del acelerador esté siempre en la posición FAST (rápida). Funcionar con el acelerador a menos de máxima velocidad puede acortar la vida útil de la batería.

## Para parar el motor

### ⚠ ADVERTENCIA

Si golpea contra un objeto extraño, detenga el motor y desconecte los cables de la bujía. Inspeccione minuciosamente la máquina para ver si está dañada. Repare el daño antes de volver a arrancar y hacer funcionar.

1. Si las cuchillas están enganchadas, coloque la palanca de la potencia de arranque (PTO) (enganche de cuchilla) en la posición OFF (desactivación).
2. Coloque el control del regulador en la posición VELOCIDAD LENTA.
3. Gire la llave de encendido en sentido contrario a las agujas del reloj hasta la posición STOP o, en las unidades con PBS, presione o extraiga la llave de encendido.
4. Retire la llave del módulo de encendido para evitar que alguien arranque accidentalmente el motor.

## Posición Modo de precaución en marcha atrás (encendido con llave)

La posición MODO DE PRECAUCIÓN EN MARCHA ATRÁS del módulo de encendido permite operar el tractor marcha atrás con las cuchillas (PTO) acopladas.

**NOTA:** No se recomienda cortar el césped en marcha atrás.

### ⚠ ADVERTENCIA

Tenga sumo cuidado al operar el tractor en el MODO DE PRECAUCIÓN EN MARCHA ATRÁS. Mire siempre hacia abajo y detrás de usted antes y durante la marcha atrás. No haga funcionar el tractor cuando haya niños u otras personas cerca. Detenga el tractor inmediatamente si alguien se acerca.

Para utilizar el MODO DE PRECAUCIÓN EN MARCHA ATRÁS

**NOTA:** El operador DEBE estar sentado en el asiento del tractor.

1. Ponga en marcha el motor como se indicó previamente.
2. Gire la llave de la posición CORTE NORMAL a la posición MODO DE PRECAUCIÓN EN MARCHA ATRÁS del módulo de encendido. Vea la Figura 3-2.

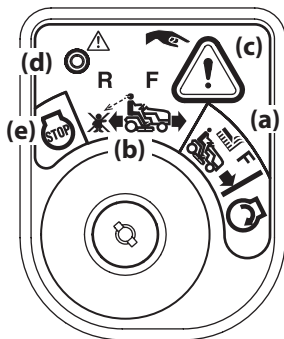


Figura 3-2

3. Oprima el BOTÓN DE MARCHA ATRÁS (c) en el ángulo superior derecho del módulo de encendido. La luz indicadora roja (d) que está en el ángulo superior izquierdo del módulo de encendido se mantendrá ENCENDIDA mientras esté activada. Vea la Figura 3-2.
4. Una vez activada (luz indicadora ENCENDIDA), el tractor podrá operar en marcha atrás con las cuchillas de corte (PTO) engranadas.
5. Siempre mire hacia abajo y hacia atrás antes y mientras se desplaza marcha atrás, para verificar que no haya niños cerca. Una vez retomado el movimiento hacia adelante, vuelva la llave a la posición de CORTE NORMAL (a).

El MODO DE PRECAUCIÓN EN MARCHA ATRÁS permanece activado hasta que (b) el operador

- a. La llave se coloque ya sea en la posición CORTE NORMAL (a) o la posición STOP (detención) (e) o bien
- b. El operador deja el asiento.

## Posición MODO DE PRECAUCIÓN EN MARCHA ATRÁS (PBS)

La posición MODO DE PRECAUCIÓN EN MARCHA ATRÁS permite operar el tractor marcha atrás con las cuchillas (PTO) acopladas.

**NOTA:** No se recomienda cortar el césped en marcha atrás.

### ⚠ ADVERTENCIA

Tenga sumo cuidado al operar el tractor en el MODO DE PRECAUCIÓN EN MARCHA ATRÁS. Mire siempre hacia abajo y detrás de usted antes y durante la marcha atrás. No haga funcionar el tractor cuando haya niños u otras personas cerca. Detenga el tractor inmediatamente si alguien se acerca.

Para utilizar el MODO DE PRECAUCIÓN EN MARCHA ATRÁS

**NOTA:** El operador DEBE estar sentado en el asiento del tractor.

1. Ponga en marcha el motor como se indica arriba.
2. Mantenga presionado el botón MODO DE PRECAUCIÓN EN MARCHA ATRÁS durante 3 segundos. La luz indicadora parpadeará durante 3 segundos y permanecerá encendida cuando se active el MODO DE PRECAUCIÓN EN MARCHA ATRÁS. Vea la Figura 3-3.



Figura 3-3

3. La luz indicadora ubicada encima del MODO DE PRECAUCIÓN EN MARCHA ATRÁS estará ENCENDIDA mientras este modo esté activado. Vea la Figura 3-3.
4. Una vez activada (luz indicadora ENCENDIDA), el tractor podrá operar en marcha atrás con las cuchillas de corte (PTO) engranadas.

5. Siempre mire hacia abajo y hacia atrás antes y mientras se desplaza marcha atrás, para verificar que no haya niños cerca. Una vez retomado el movimiento hacia adelante, presione el botón MODO DE PRECAUCIÓN EN MARCHA ATRÁS para volver al MODO DE CORTE NORMAL.
6. El MODO DE PRECAUCIÓN EN MARCHA ATRÁS permanece activado hasta que:
  - a. Se presiona o se extrae el botón del MODO DE PRECAUCIÓN EN MARCHA ATRÁS.
  - b. El operador abandone el asiento (PTO eléctrica)/se ponga el freno de mano (PTO manual).

## Conducción del tractor

### ⚠ ADVERTENCIA

Evite arrancar súbitamente, desarrollar excesiva velocidad y parar inesperadamente.

1. Oprima suavemente el pedal de freno para soltar el freno de mano. Mueva el acelerador a la posición FAST (velocidad rápida, representada por una liebre).
2. Para conducir hacia ADELANTE, presione lentamente el pedal de marcha adelante (a) hasta alcanzar la velocidad deseada. Vea la Figura 3-4.

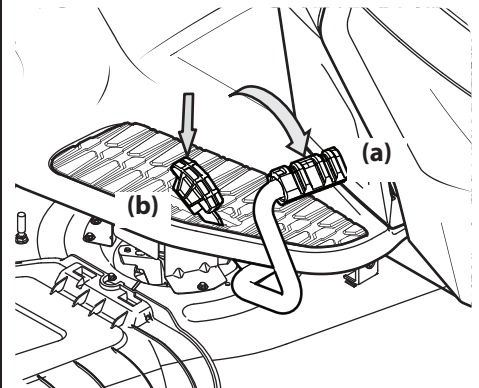


Figura 3-4

3. Para conducir MARCHA ATRÁS, verifique que el área de atrás esté despejada; luego presione lentamente hacia adelante el pedal de marcha atrás (b) hasta alcanzar la velocidad deseada. Vea la Figura 3-4.

### ⚠ PRECAUCIÓN

NO intente cambiar la dirección de desplazamiento mientras el tractor está en movimiento. Siempre debe detener el tractor completamente antes de cambiar de marcha adelante a marcha atrás o viceversa.

### ⚠ ADVERTENCIA

No abandone el asiento del tractor sin antes colocar la PTO en posición de DESACTIVACIÓN (OFF) y poner el freno de mano. Si deja el tractor sin vigilancia, apague el motor y retire la llave de encendido.

## Conducción en pendientes

Consulte la sección INDICADOR DE PENDIENTE en la página 6 para determinar en qué pendientes puede operar el tractor de manera segura.

### ⚠ ADVERTENCIA

No corte en pendientes con una inclinación de más de 15° (elevación aproximada de 2-½ pies por cada 10 pies). El tractor podría darse vuelta y causar lesiones graves.

- En las pendientes, corte hacia arriba y hacia abajo, NUNCA en forma transversal.
- Tenga sumo cuidado al cambiar de dirección en una pendiente.
- Esté atento a los hoyos, surcos, baches, rocas, y otros objetos ocultos. El terreno desnivelado puede voltear la máquina. El césped alto puede ocultar obstáculos.
- Evite realizar giros cuando opere en una pendiente. Si debe realizar un giro, hágalo pendiente abajo. Subir una pendiente aumenta enormemente las posibilidades de que el vehículo dé una vuelta de campana.
- Evite parar cuando esté subiendo una pendiente. Si fuese necesario detenerse mientras sube una pendiente, arranque suave y cuidadosamente para reducir la posibilidad de que el tractor se dé vuelta hacia atrás.

## Colocación del freno de mano

**NOTA:** Si el operador abandona el asiento y deja el motor en funcionamiento, deberá colocar el freno de mano, o el motor se apagará de forma automática.

Para poner el freno de mano:

Para poner el freno de mano:

1. Presione el pedal de freno completamente hacia abajo con el pie izquierdo y manténgalo en esa posición.
2. Presione la palanca del freno de mano/control de crucero hacia abajo y manténgala en esa posición.
3. Retire el pie del pedal del freno.
4. Afloje la presión sobre la palanca del freno de mano/control de crucero.

Después de completar el paso 3, el pedal de freno debe permanecer en la posición hacia abajo. Si no lo hace, el freno de mano *no está* acoplado. Repita los pasos 1 a 4 para activar el freno de mano.

Para desactivar el freno de mano, presione suavemente el pedal de freno.

### ⚠ ADVERTENCIA

Nunca deje la máquina en funcionamiento sin vigilancia. Siempre desconecte la toma de fuerza (PTO), ponga el freno de mano, pare el motor y retire la llave, para evitar que el motor arranque accidentalmente.

## Ajuste del control de crucero

### ⚠ ADVERTENCIA

Nunca active la palanca de control de crucero mientras se desplaza marcha atrás.

Para fijar el control de crucero:

1. Presione lentamente el pedal de marcha adelante con el pie derecho hasta alcanzar la velocidad deseada.
2. Presione la palanca del freno de mano/control de crucero hacia abajo y manténgala en esa posición.
3. Retire el pie del pedal de marcha adelante.
4. Afloje la presión sobre la palanca del freno de mano/control de crucero.

Después de completar el paso 3, el pedal de marcha adelante debe permanecer en la posición hacia abajo y el tractor mantendrá la misma velocidad de avance. Si no lo hace, el control de crucero *no está* acoplado. Repita los pasos 1 a 4 para activar el control de crucero.

Para desactivar el control de crucero, presione suavemente el pedal de marcha adelante o el pedal de freno.



**NOTA:** El control de crucero no se puede fijar en la velocidad absoluta más rápida del tractor. Si el operador intentara hacerlo, el tractor se desacelerará automáticamente a la velocidad de corte absoluta óptima y más rápida.

Para cambiar la dirección de desplazamiento de adelante a marcha atrás cuando el control de crucero está acoplado, oprima el pedal de freno para desacoplar y haga que el tractor se detenga por completo. Luego presione lentamente el pedal de marcha atrás con la almohadilla del pie para desplazarse marcha atrás.

## Uso de la palanca de elevación de la plataforma

Para subir o bajar la plataforma de corte, mueva la palanca de elevación hacia la izquierda y luego colóquela en la muesca que mejor se adapte a la aplicación deseada.


## Funcionamiento de los faros delanteros

En los tractores de encendido con llave, las luces se ENCENDEN cada vez que se saca la llave de contacto de la posición  STOP (detención). Los faros se APAGAN (OFF) cuando se coloca la llave de encendido en la posición  STOP (detención).

En los tractores con PBS, las luces están ENCENDIDAS siempre que el motor está en funcionamiento. Si la llave de encendido se presiona durante menos de 1,5 segundos, los faros permanecerán encendidos durante 1,5 segundos. Las luces se APAGAN cuando se APAGA el motor.

## Activación de la PTO (Tractores con PTO eléctrica)

Al conectar la PTO se suministra energía a la plataforma de corte y a otros accesorios (disponibles por separado). Para conectar la PTO:

1. Mueva el acelerador a la posición FAST  (rápido).
2. Tire del interruptor de la PTO hacia arriba/afuera a la posición de activación (ON). Vea la Figura 3-5.

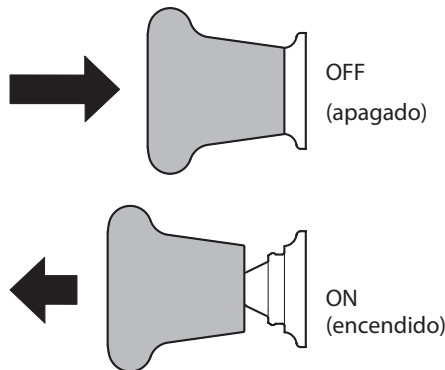




Figura 3-5

- NOTA:** Cuando haga funcionar el tractor asegúrese de que el acelerador esté siempre en la posición FAST  (rápida). Funcionar con el acelerador a menos de máxima velocidad puede acortar la vida útil de la batería producir un corte de mala calidad.
3. Para desactivar la PTO, presione el interruptor de la PTO para abajo/adentro a la posición de desactivación (OFF).

## Acople de la PTO (Tractores con PTO manual)

Al conectar la PTO se suministra energía a la plataforma de corte y a otros accesorios (disponibles por separado). Para conectar la PTO:

1. Mueva el acelerador a la posición FAST  (rápido).
2. Empuje la palanca de la PTO hacia adelante a la posición de activación (ON). Vea la Figura 3-6.

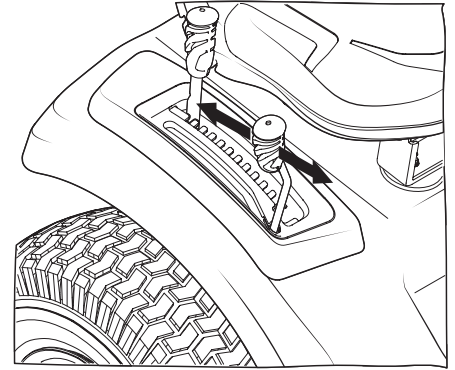



Figura 3-6

**NOTA:** Cuando haga funcionar el tractor asegúrese de que el acelerador esté siempre en la posición FAST  (rápida). Funcionar con el acelerador a menos de máxima velocidad puede acortar la vida útil de la batería producir un corte de mala calidad.

3. Para desactivar la PTO, tire de la palanca de la PTO hacia atrás a la posición de desactivación (OFF).

## Uso del bloqueo del diferencial (si está incluido)

### ⚠ ADVERTENCIA

Cuando el bloqueo del diferencial esté activado, asegúrese de calcular un radio de giro y un esfuerzo de la dirección mayores.

### ⚠ ADVERTENCIA

Active el bloqueo del diferencial solamente cuando el vehículo funcione al ralentí. No utilice el bloqueo del diferencial al descender una pendiente.

**NOTA:** El sistema solo debe usarse cuando la tracción sea insuficiente. Se debe desactivar cuando el vehículo se desplace por superficies sólidas.

En algunos casos, el tractor se puede manejar en terrenos resbaladizos o en situaciones de baja tracción, y puede ser necesario activar el bloqueo del diferencial. Para usar el bloqueo del diferencial, proceda de la siguiente manera:

1. Detenga el movimiento del tractor.
2. Presione el pedal para activar el bloqueo del diferencial.

**NOTA:** El bloqueo del diferencial solo funciona cuando el pedal está presionado.

**NOTA:** El accionamiento puede demorarse. El bloqueo del diferencial se activará cuando se detecten diferentes velocidades de las ruedas.

**NOTA:** El accionamiento puede demorarse. El bloqueo del diferencial se desactivará cuando las velocidades de las ruedas traseras lo permitan.

3. Para desactivar el bloqueo del diferencial, suelte el pedal.

	Antes de cada uso	Después de las primeras 5 horas	Cada 10 horas	Cada 25 horas	Cada 50 horas	Cada 100 horas	Antes de almacenar	Consulte el manual del motor
Compruebe/Limpie las Pantallas de Entrada de Motor y los Ventiladores de Enfriamiento *	✓						✓	
Revisar/Limpie el Colector de Escape, el Silenciador y los Escudos del Silenciador *	✓						✓	
Compruebe/Limpie la Campana/Tablero Tableros *	✓						✓	
Compruebe/Limpie la parte superior y la parte inferior de la cubierta, debajo y alrededor de las cubiertas del eje y el área de la correa *	✓						✓	
Comprobar / limpiar alrededor de los fusibles, el cableado y los arneses de cableado *	✓						✓	
Comprobar / limpiar alrededor de la transmisión, el eje y los ventiladores *	✓						✓	
Limpie los bornes de la batería			✓				✓	
Engrase todos los puntos de lubricación				✓			✓	
Limpie las lumbreras del capó/panel del tablero			✓				✓	
Revise el filtro de admisión/limpie si corresponde			✓				✓	
Revise las cuchillas/afíle o reemplace si corresponde			✓				✓	
Revise la presión de los neumáticos			✓				✓	
Revise/limpie la parte de arriba y de abajo de la plataforma			✓					
Inspeccione y lubrique las ruedas de la plataforma				✓			✓	
Revise el nivel/inclinación de la plataforma				✓			✓	
Revise las correas y poleas viendo se están dañadas/gastadas					✓			
Compruebe que todos los elementos de ferretería están en su lugar y asegurados						✓		
Controle el estado y la separación de la bujía de encendido						✓	✓	✓
Cambio del aceite de asentamiento del motor		✓						✓
Cambie el aceite del motor					✓		✓	✓
Reemplace el filtro de aceite					✓		✓	✓
Limpie o cambie el filtro de aire					✓			✓
Reemplace el filtro de combustible					✓			✓
Haga revisar y ajustar la holgura de la válvula *								✓

\* — Realizar más a menudo en condiciones secas y / o cuando el acolchado

**IMPORTANTE:** Es importante consultar el Manual del Operador del motor específico incluido con esta máquina para ver los procedimientos detallados de mantenimiento del motor y los intervalos correctos.



**NOTA:** Este manual del operador abarca numerosos modelos. Las características del tractor pueden variar según los modelos. No todas las características que se incluyen en este manual se aplican a todos los modelos de tractor y la máquina que se ilustra aquí puede diferir de la suya.

**⚠ ADVERTENCIA**

Antes de realizar tareas de mantenimiento o reparaciones, desconecte la PTO, ponga el freno de mano, apague el motor y retire la llave para evitar el encendido accidental del motor.

**Después de la operación del tractor Cuidado**

Después de cada operación del tractor, los siguientes procedimientos deben ser implementados para extender la vida útil de su tractor y garantizar condiciones seguras de operación.

**⚠ PELIGRO**

El incumplimiento de estas recomendaciones puede provocar lesiones graves a sí mismo o a otros y puede causar daños en el tractor.

**Limpieza de la parte inferior del piso**

**Smart Jet**

La plataforma de su tractor está equipada con un puerto de agua sobre su superficie como parte del sistema de lavado de la plataforma.

Utilice el Smart Jet para quitar los recortes de césped de la parte inferior de la plataforma e impedir la acumulación de sustancias químicas corrosivas. Realice los siguientes pasos DESPUÉS DE CADA CORTE DE CÉSPED:

1. Dirija el tractor a una zona nivelada y despejada del césped, que se encuentre suficientemente cerca de una canilla de agua al alcance de la manguera del jardín.

**⚠ PRECAUCIÓN**

Asegúrese de que el canal de descarga del tractor NO ESTÉ ORIENTADO EN LA DIRECCIÓN en que se encuentran las personas, la casa, el garaje, los vehículos estacionados, etc.

2. Desconecte la toma de fuerza (PTO), aplique el freno de mano y detenga el motor.
3. Enrosque el acople de manguera (embalado con el Manual del Operador de su tractor) en el extremo de la manguera de jardín.
4. Una el acople de la manguera al puerto de agua que se encuentra en la superficie de la plataforma. Vea la Figura 4-1.



Figura 4-1

5. Abra el suministro de agua.
6. Mientras está sentado en la posición del operador del tractor, arranque el motor y coloque la palanca del regulador en la posición FAST (velocidad rápida).

7. Mueva la PTO del tractor a la posición de activación (ON).
8. Permanezca en la posición del operador con la plataforma enganchada durante dos minutos como mínimo, permitiendo que la parte inferior de la plataforma de corte se lave a fondo.
9. Mueva la PTO del tractor a la posición de desactivación (OFF).
10. Gire la llave de encendido a la posición STOP (detención) para apagar el motor del tractor.
11. Desconecte el agua y retire el acoplador de la manguera desde el puerto de agua que se encuentra en la superficie de la plataforma.
12. Después de limpiar la plataforma con el sistema Smart Jet, regrese a la posición del operador y active la PTO. Mantenga la plataforma en funcionamiento durante dos minutos por lo menos para permitir que se seque totalmente la parte inferior de la misma.

**Limpieza del tractor**

**⚠ ADVERTENCIA**

Si el tractor ha sido recientemente funcionar, el motor, el silenciador y las superficies metálicas circundantes estarán calientes y pueden causar quemaduras en la piel. Deje que el motor se enfríe durante al menos cinco minutos la precaución para evitar quemaduras.

Su tractor debe limpiarse después de cada uso y bajo ciertas condiciones, es decir, condiciones secas y/o situaciones de picado, de limpieza adicional puede ser necesario.

Una de las mejores maneras de mantener su tractor funcionando de manera eficiente y para reducir el riesgo de incendio es eliminar la acumulación de basura con regularidad desde el tractor. Siga las recomendaciones a continuación y póngase en contacto con su distribuidor autorizado con cualquier pregunta.

- Deje que la máquina se enfríe en un área abierta antes de la limpieza.
- No use agua en cualquier parte del tractor, excepto la parte inferior de la plataforma de corte. Si lo hace, puede provocar daños en los rodamientos para husillos del tractor, el sistema eléctrico y el motor, lo que lleva a fallas prematuras. El uso de aire comprimido y / o soplador de hojas se ayudan a mantener limpio el tractor.
- Clean bajo el capó. Colector de escape, alrededor de fusibles, todo el cableado y arneses, tubo silenciador, escudo de silenciador, pantallas de admisión del motor y las aletas de refrigeración, etc. Vea la Figura 4-2.

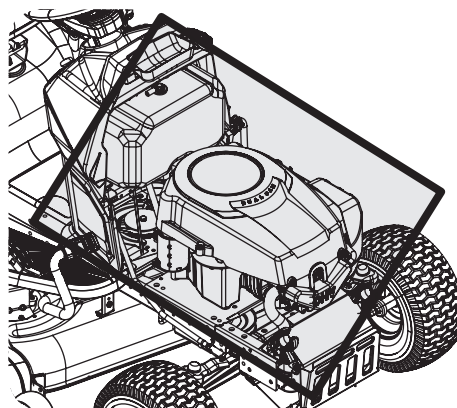


Figura 4-2

- Limpiar la parte superior de la plataforma de corte, bajo las sábanas de husillo y área de la correa. Vea la Figura 4-3.

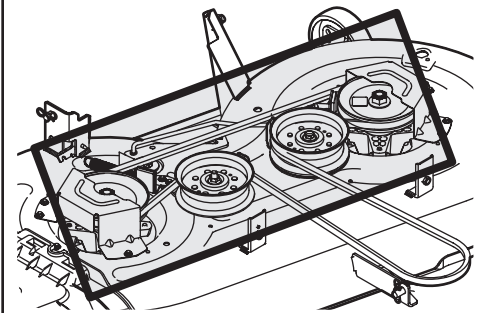
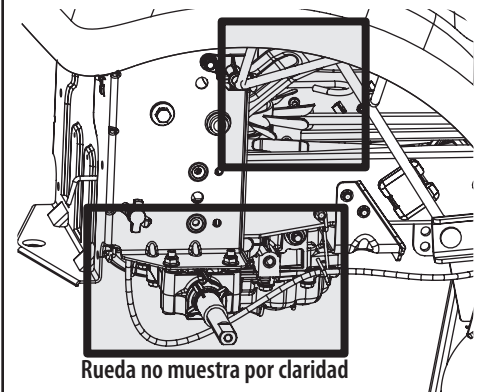


Figura 4-3

- Limpia alrededor y cerca de la transmisión, el eje y el área del ventilador. Vea la Figura 4-4.



Rueda no muestra por claridad

Figura 4-4

- Los residuos pueden acumularse en cualquier lugar en el tractor, especialmente en superficies horizontales. Limpieza adicional puede ser necesaria cuando la siega en condiciones secas o cuando acolchado.
- Fugas de combustible / derrames, fugas de aceite / derrames y el exceso de lubricación también pueden convertirse en sitios de colecciones de escombros. Inmediata reparación y limpieza de derrames de aceite o combustible puede ayudar a reducir los riesgos de incendio.
- Además de limpiar el tractor, antes de manejar y almacenar, no intente cortar inusualmente alto (10" o superior), la hierba seca (por ejemplo, pasto) o pilas de hojas secas. Hierba u hojas en seco pueden ponerse en contacto con los gases de escape del motor y / o acumularse en la plataforma de corte en un peligro de incendio.

**Almacenamiento del tractor**

- Deje que la máquina se enfríe en un área abierta antes de guardarlo.
- No estacione el tractor cerca de materiales inflamables (madera, tela o productos químicos) o cualquier llama abierta u otra fuente potencial de ignición (horno, calentador de agua o cualquier otro tipo de calentador).
- Retire todos los materiales combustibles desde el tractor antes de guardarla. Cajas de carga vacíos, recogedores de hierba y contenedores.
- Siempre cerrar el flujo de combustible cuando almacenar o transportar si tractor está equipado con un cierre de combustible.
- Compruebe el sistema de combustible (líneas, el tanque, tapa y accesorios) con frecuencia grietas o fugas. Reparación y limpiar como sea necesario.

## Mantenimiento

### Motor

Consulte el Manual del operador del motor para obtener información sobre las preguntas y los problemas relacionados con el motor.

**NOTA:** El mantenimiento, reparación o reemplazo de los dispositivos y sistemas del control de emisiones, que corre por cuenta del cliente, puede realizarlo cualquier establecimiento o individuo especializado en reparaciones de motores. **Los arreglos en garantía deben ser realizados por distribuidor autorizado.**

### Batería

#### ⚠ ADVERTENCIA

**PROPOSICIÓN 65:** de California: Los bornes y contactos de la batería, y los accesorios afines contienen plomo y compuestos de plomo, sustancias químicas que el Estado de California considera que pueden producir cáncer y daños en el sistema reproductivo. Lávese las manos después de estar en contacto con estos componentes.

La batería está sellada y no necesita mantenimiento. Los niveles de ácido no se pueden controlar y no se puede agregar líquido.

- Siempre mantenga limpios y libres de acumulación de elementos corrosivos los cables y los bornes de la batería.
- Después de limpiar la batería y los bornes, aplique una capa delgada de vaselina o grasa a ambos bornes.

#### ⚠ PRECAUCIÓN

Si quita la batería para limpiarla, desconecte primero el cable **NEGATIVO** (negro) de su terminal y a continuación el cable **POSITIVO** (rojo). Cuando vuelva a instalar la batería, conecte siempre primero el cable **POSITIVO** (rojo) a su borne, y a continuación el cable **NEGATIVO** (negro). Asegúrese de que los cables estén conectados a los terminales correctos, ya que si los invierte se podría dañar gravemente el sistema alternador del motor.

### Arranque con puente

#### ⚠ ADVERTENCIA

**Nunca** arranque con puente una batería dañada o congelada. Asegúrese de que los vehículos no se toquen y los motores están apagados. No permita que las pinzas de los cables se toquen.

1. Conecte el cable positivo (+) al borne positivo (+) de la batería descargada de su tractor.
2. Conecte el otro extremo del cable al borne positivo (+) de la batería con carga.
3. Conecte el segundo cable negativo(-) al otro borne de la batería con carga.
4. Haga la conexión final al bloque del motor del tractor, alejado de la batería. Acople a una parte sin pintura para asegurarse de que haya una buena conexión.

#### ⚠ PRECAUCIÓN

Si la batería con carga está instalada en el vehículo (es decir automóvil, camión) **NO** ponga en marcha el motor del vehículo cuando arranque su tractor con conexiones en puente.

5. Arranque el tractor (según las instrucciones de la sección Funcionamiento de este manual).
6. Retire los cables de arranque en orden inverso a la conexión.

### Carga

#### ⚠ ADVERTENCIA

Al cargarse, las baterías emiten un gas que puede causar explosiones. Cargue la batería en un área bien ventilada y manténgala alejada de una llama expuesta o piloto, como los de los calentadores de agua, calefactores de ambiente, hornos, secadores de ropa y otros aparatos a gas.

#### ⚠ PRECAUCIÓN

Quando cargue la batería de su tractor, utilice únicamente un cargador diseñado para baterías de plomo-ácido de 12V. Lea el manual del operador del cargador de la batería antes de cargar la batería de su tractor. Siempre siga las instrucciones y tenga en cuenta las advertencias.

Si su tractor no se ha utilizado durante un período de tiempo prolongado, cargue la batería de la siguiente manera:

1. Ajuste el cargador de batería para que produzca un máximo de 10 amperios.
2. Si su cargador de batería es automático, cargue la batería hasta que el cargador indique que se ha completado la carga. Si el cargador no es automático, cargue durante ocho horas como mínimo.

### Fusible

#### ⚠ ADVERTENCIA

Antes de hacer el servicio, reparar o inspeccionar, siempre desactive la PTO, ponga el freno de mano, pare el motor y retire la llave, para evitar el arranque accidental.

En el mazo de cables de su tractor está instalado un fusible de 20 amperios, para proteger el sistema eléctrico del tractor de los daños causados por exceso de amperaje.

Si el sistema eléctrico no funciona, o el motor de su tractor no arranca, verifique que el fusible no se haya quemado. Se encuentra ubicado debajo del asiento, conectado al cable POSITIVO (rojo) que conduce a la batería.

#### ⚠ PRECAUCIÓN

Utilice siempre un fusible de repuesto con la misma capacidad de amperaje que el fusible quemado.

### Relés e interruptores

Hay varios interruptores de seguridad en el sistema eléctrico. Si una función del sistema de bloqueo de seguridad descrito antes no funciona adecuadamente, haga que el distribuidor de servicio autorizado revise el sistema eléctrico.

### Motor

Consulte las instrucciones y procedimientos de mantenimiento del motor en el Manual del Operador del motor.

**NOTA:** Si aparece el texto "LOW OIL" inmediatamente después de que el motor arranca la presión de aceite puede estar baja. Esto es normal. Si la indicación de nivel bajo de aceite persiste, pare el tractor inmediatamente y compruebe el nivel de aceite del motor según las instrucciones del Manual del operador del motor.

**NOTA:** La función "Low Oil" (nivel bajo de aceite) solo funciona si el motor tiene un interruptor de presión de aceite.

### Cambio de aceite del motor

#### ⚠ ADVERTENCIA

Si el motor ha estado en funcionamiento recientemente, el motor, el silenciador y las superficies metálicas circundantes estarán calientes y pueden causar quemaduras en la piel. Tenga precaución para evitar quemaduras.

**NOTA:** El filtro de aceite se debe cambiar en cada intervalo de cambio de aceite. Para realizar el cambio de aceite, proceda de la siguiente manera:

Para realizar el cambio de aceite, proceda de la siguiente manera:

1. Haga funcionar el motor por un período corto para calentar el aceite del motor. El aceite fluirá mejor y limpiará las impurezas. Tenga cuidado y evite quemarse con el aceite caliente.
2. Abra el capó del tractor y ubique el orificio de drenaje de aceite del lado izquierdo del motor.

3. Para recoger el aceite usado, coloque un recipiente adecuado para recolectar el aceite, con al menos una capacidad de 2.5 cuartos de galón, debajo de la abertura del tubo de drenaje de aceite. Retire el tapón de llenado de aceite/la varilla de nivel de aceite del tubo de llenado.
4. Abra el tapón protector del extremo de la válvula de drenaje para visualizar el orificio de drenaje. Vea la Figura 4-1.

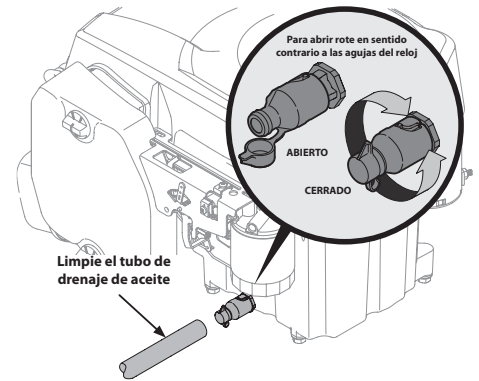


Figura 4-1

5. Retire el tapón de llenado de aceite/la varilla de nivel de aceite del tubo de llenado.
6. Presione el tubo de drenaje de aceite (que acompaña este manual) sobre el orificio de drenaje. Coloque el extremo libre de la manguera en un recipiente de recolección de aceite adecuado con una capacidad de por lo menos 2,5 cuartos de galón para recoger el aceite usado.
7. El motor está equipado con un orificio de drenaje de girar y tirar. Gire la válvula de drenaje de aceite ¼ de vuelta hacia la izquierda, luego tire hacia afuera para comenzar a drenar el aceite. Cuando haya terminado de drenar el aceite, empuje el extremo de la válvula de drenaje de aceite hacia adentro y gírela ¼ de vuelta para colocarla nuevamente en su lugar. Vuelva a colocar la tapa del extremo de la válvula para evitar que entren residuos en el orificio de drenaje.
7. Vuelva a colocar el filtro de aceite y cargue el motor con aceite nuevo según las instrucciones del manual de operador del motor.  
**NOTA:** Coloque una toalla absorbente debajo del filtro de aceite para mantener el aceite fuera del embrague.
8. Para recargar el aceite, vuelva a colocar el tapón en el extremo del tubo y consulte el manual del operador del motor para obtener instrucciones sobre la recarga, el tipo y la cantidad de aceite.  
**NOTA:** El mantenimiento, reparación o reemplazo de los dispositivos y sistemas del control de emisiones, que corre por cuenta del cliente, puede realizarlo cualquier establecimiento o individuo especializado en reparaciones de motores. **Los arreglos en garantía deben ser realizados por distribuidor de servicio autorizado.**
- 9.

### Lubricación

#### ⚠ ADVERTENCIA

Antes de lubricar, reparar o inspeccionar, desactive la PTO, ponga el freno de mano, pare el motor y retire la llave, para evitar el arranque accidental.

### Ruedas delanteras

Cada uno de los ejes y llantas de las ruedas delanteras viene equipado con un dispositivo de engrase. Consulte Figura 4-2 para ver la ubicación del dispositivo de engrase en los ejes y Figura 4-3 para ver la ubicación del dispositivo de engrase en las llantas. Lubrique con una grasa multiuso No. 2 aplicada con una pistola de engrase cada 25 horas de

funcionamiento del tractor.

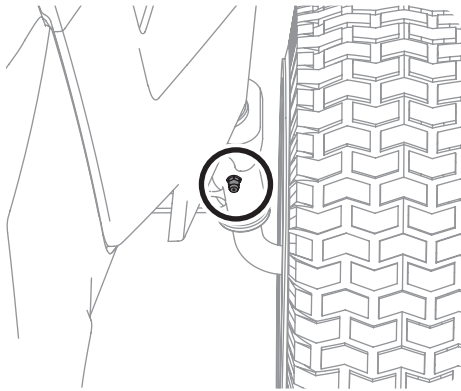


Figura 4-2

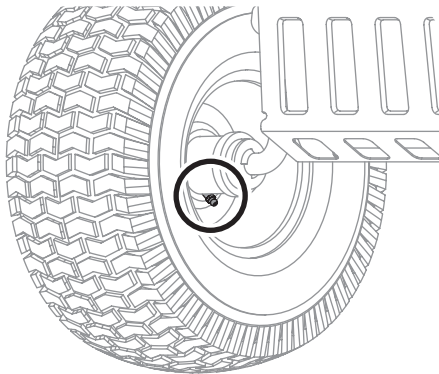


Figura 4-3

#### Ruedas de la plataforma

Las ruedas de la plataforma tienen forma esférica (las plataformas de 50 in" y 54" tienen cuatro ruedas) están equipadas con un engrasador. Lubrique con una grasa multiuso No. 2 aplicada con una pistola de engrase cada 25 horas de funcionamiento del tractor.

#### Puntos de pivote y varillaje

Lubrique todos los puntos de pivote del sistema de impulsión, el freno de mano y el varillaje de elevación al menos una vez por temporada con aceite ligero.

**NOTA:** No es necesario engrasar el piñón de dirección o la interfaz del sector dentado. Si lo hace, se acumulará suciedad en estas piezas, y esto puede afectar el rendimiento de la dirección.

#### Transmisión hidrostática

La transmisión hidrostática viene sellada de fábrica y no tiene mantenimiento alguno. No se puede controlar el nivel de fluido ni se puede cambiar el líquido.

## Ajustes

### ⚠ ADVERTENCIA

Apague el motor, retire la llave de encendido y coloque el freno de mano antes de realizar ajustes. Proteja sus manos utilizando guantes reforzados cuando manipule las cuchillas.

**NOTA:** Controle la presión de neumáticos del tractor antes de realizar cualquier nivelación de la plataforma. Consulte la sección Neumáticos en la página 11 para obtener información sobre la presión de los neumáticos.

#### Ajuste de la plataforma

##### Nivelación de la plataforma (de adelante hacia atrás)

El frente de la plataforma se apoya en una barra estabilizadora que se puede ajustar para nivelar la plataforma de adelante hacia atrás. El frente de la plataforma debe estar entre  $\frac{1}{4}$ " y  $\frac{3}{8}$ " más bajo que la parte posterior de la plataforma. De ser necesario, realice un ajuste de la siguiente manera:

1. Con el tractor estacionado sobre una superficie firme y nivelada, coloque la palanca de elevación de la plataforma en la posición media y gire la cuchilla más cercana al canal de descarga para que quede perpendicular al tractor.
2. Mida la distancia desde la parte delantera de la punta de la cuchilla hasta el piso, y desde la parte posterior de la punta de la cuchilla hasta el piso. El frente de la plataforma debe estar entre  $\frac{1}{4}$ " y  $\frac{3}{8}$ " más bajo que la parte posterior de la plataforma.
3. Determine la distancia aproximada necesaria para un ajuste adecuado y, de ser necesario, proceda.
4. Para *eleva*r el frente de la plataforma, afloje la tuerca exterior y apriete (rosca hacia adentro) la tuerca contra el soporte de suspensión delantera. Vea la Figura 4-4. Cuando se logre el ajuste correcto, vuelva a apretar la tuerca externa hasta 25-30 pies-libras.

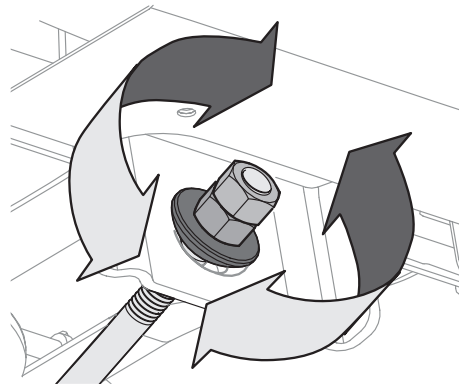


Figura 4-4

5. Para *baja*r el frente de la plataforma, afloje la tuerca exterior y afloje (rosca hacia afuera) la tuerca, lejos del soporte de suspensión delantera. Vea la Figura 4-4. Cuando se logre el ajuste correcto, vuelva a apretar la tuerca externa.

##### Nivelación de la plataforma (de lado a lado)

Si la plataforma estuviera realizando el corte de césped de forma despareja, puede realizarse el ajuste lado a lado. De ser necesario, realice un ajuste de la siguiente manera:

1. Con el tractor estacionado sobre una superficie firme y nivelada, coloque la palanca de elevación de la plataforma en la posición media y rote las dos cuchillas para que queden perpendiculares al tractor.

2. Mida la distancia desde la parte externa de la punta de la cuchilla izquierda hasta el piso, y desde la parte externa de la punta de la cuchilla derecha hasta el piso. Las dos mediciones obtenidas deben ser iguales. Si no lo son, realice el siguiente paso.
3. Debajo de los guardabarros traseros dentro de las ruedas hay una varilla de ajuste de elevación para cada lado de la plataforma. Vea la Figura 4-5.

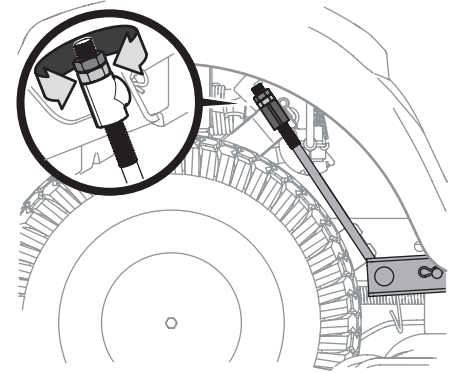


Figura 4-5

4. Los ajustes de lado a lado menores se deben hacer usando principalmente la varilla de ajuste izquierda.
5. Para elevar el lado izquierdo de la plataforma, afloje la tuerca superior del extremo de la varilla de elevación, y gire la tuerca inferior a la derecha. Cuando logra el ajuste correcto, apriete la tuerca superior para asegurarla en su lugar. Para bajar el lado izquierdo de la plataforma, afloje la tuerca superior del extremo de la varilla de elevación, luego gire la tuerca inferior a la izquierda. Cuando logra el ajuste correcto, apriete la tuerca superior hasta 25-30 pies-libras para asegurarla en su lugar.
6. La plataforma se encuentra correctamente nivelada cuando las dos mediciones que se tomaron anteriormente desde las puntas de las cuchillas son iguales.

#### Ajuste de la altura de la plataforma

La altura de la plataforma se puede ajustar para asegurar que la configuración de la palanca de altura de la plataforma es precisa. Para ajustar la altura de la plataforma proceda de la siguiente manera:

1. Con el tractor estacionado sobre una superficie firme y nivelada, coloque la palanca de elevación de la plataforma en la posición más alta (4") y gire la cuchilla más cercana al canal de descarga para que quede perpendicular al tractor.
2. Mida la distancia desde la parte externa de la punta de la cuchilla izquierda hasta el piso, y desde la parte externa de la punta de la cuchilla derecha hasta el piso. Las dos mediciones obtenidas deben ser 4 pulgadas. Si no lo son, realice el siguiente paso.
3. Usando las varillas de elevación derecha e izquierda, eleve o baje la parte necesaria de la plataforma hasta que ambos lados se encuentren a 4" del pavimento.

## Ajuste de las ruedas de la plataforma

### ⚠ ADVERTENCIA

Mantenga las manos y los pies alejados de la abertura de descarga de la plataforma.

**NOTA:** Las ruedas de la plataforma constituyen un mecanismo para el cuidado del césped y no fueron diseñadas para soportar el peso de la plataforma.

Las ruedas de la plataforma deben estar aproximadamente a  $\frac{1}{4}$ - $\frac{1}{2}$ " por encima del suelo cuando la plataforma se encuentra en el ajuste de altura deseado. Para obtener instrucciones sobre cómo ajustar las ruedas de la plataforma consulte la sección Montaje y Configuración.

## Ajuste del asiento

Consulte en la sección Montaje y Configuración de este manual las instrucciones para el ajuste del asiento.

### ⚠ ADVERTENCIA

Antes de hacer funcionar el tractor, compruebe que el asiento esté enganchado en el tope del asiento. Ponga el freno de mano. Párese detrás de la máquina y tire el asiento hacia atrás hasta que haga clic al calzar en su lugar.

## Ajuste del freno de mano

Si el tractor no se detiene por completo cuando se presiona totalmente el pedal del freno, o si las ruedas traseras del tractor siguen rodando con el freno de mano colocado (y la válvula de descarga hidrostática abierta) el freno necesita ajustes. Consulte al distribuidor de servicio autorizado para realizar un ajuste del freno.

## Ajuste punto muerto hidrostático

Si el tractor se desliza hacia adelante o hacia atrás cuando no se presiona el pedal de marcha adelante ni el de marcha atrás, póngase en contacto con el distribuidor local autorizado para que regule correctamente el ajuste de punto muerto.

## Alineación de las ruedas

Si el tractor tira hacia un lado o está desalineado, podría ser necesario alinear las ruedas. Lleve el tractor a un distribuidor de servicio autorizado para que le realicen una alineación de ruedas correcta.

## Almacenamiento fuera de temporada

Si el tractor cortacésped no va a funcionar por un período prolongado (desde treinta días hasta aproximadamente seis meses), se lo debe preparar para el almacenamiento. Guarde el tractor cortacésped en un lugar seco y protegido. Si lo guarda afuera, cúbralo (incluidos los neumáticos) para protegerlo de los fenómenos climáticos. Cada vez que se prepara el tractor cortacésped para dejarlo fuera de uso se deben realizar los procedimientos que se describen más abajo.

1. Cambie el aceite y el filtro del motor según las instrucciones suministradas en el manual del operador del motor.

### ⚠ ADVERTENCIA

Nunca guarde el tractor cortacésped con combustible en el depósito en un lugar cerrado o con escasa ventilación, donde los gases del combustible pueden generar fuego, chispas o encender una luz piloto como la de hornos, calentadores de agua, secadores de ropa, etc.

2. Realice el mantenimiento del motor como se indica en el Manual del operador del motor.

3. Para almacenar motores entre 30 y 90 días es necesario tratarlos con un estabilizador de gasolina, y para almacenarlos durante más de 90 días se debe drenar el combustible para evitar deterioros y la formación de depósitos de goma en el sistema de combustible o en piezas fundamentales del carburador. Si la gasolina en su motor se deteriora durante el almacenamiento, puede resultar necesario reparar o reemplazar el carburador y otros componentes del sistema de combustible.

3. Retire las bujías y vierta aproximadamente una onza de aceite en cada cilindro. Haga arrancar el motor una o dos vueltas para que el aceite se distribuya de forma pareja en las paredes del cilindro. Vuelva a colocar las bujías.

4. Limpie perfectamente el motor y toda la unidad.

**NOTA:** No se recomienda el uso de una lavadora de presión ni de una manguera de jardín para limpiar el tractor cortacésped. Pueden producir daños a los componentes eléctricos, husillos, poleas, rodamientos o al motor. El uso de agua acortará la vida útil de la máquina y reducirá su capacidad de servicio.

5. Afíle las cuchillas para que la máquina esté lista para el uso cuando necesite usarla.
6. Proteja las superficies metálicas. Repare las rayas con pintura de retoque adecuada en aerosol.
7. Limpie y cargue totalmente la batería, luego desconecte el cable negativo de la batería para evitar posibles descargas. Vuelva a cargar la batería periódicamente durante el almacenamiento.

**NOTA:** Retire la batería si está expuesta a períodos prolongados de temperaturas inferiores al congelamiento. Guarde en un lugar fresco y seco, donde las temperaturas estén por encima del punto de congelamiento.

8. Lubrique todos los puntos de lubricación.
9. Levante la máquina y guárdela sobre bloques para que el peso no se apoye sobre los neumáticos.

## Retiro del tractor cortacésped del lugar de guarda

1. Controle el nivel de aceite de motor.
2. Cargue totalmente la batería, retire el tractor cortacésped de los bloques e infle los neumáticos a la presión recomendada.
3. Retire las bujías y límpielas. Con el arrancador, arranque el motor para bombear el exceso de aceite y sacarlo de los orificios de las bujías. Vuelva a colocar las bujías y los conductores de encendido.
4. Si se vació el depósito de combustible antes de guardar el tractor, llénelo con gasolina limpia y nueva.
5. Arranque el motor y déjelo andar en ralentí unos cuantos minutos para asegurar que su funcionamiento sea adecuado.
6. Conduzca el tractor cortacésped sin carga para estar seguro de que todos los sistemas de este funcionan correctamente.

## Servicio

### Retiro de la plataforma

Para extraer la plataforma, proceda de la siguiente manera:

1. Coloque la PTO en la posición de desactivación (OFF) y ACCIONE el freno de mano.
2. Baje la plataforma colocando la palanca de elevación de la plataforma dentro de la muesca inferior del guardabarros derecho.
3. Para tractores con PTO manual continúe con el paso 4, para modelos con PTO eléctrica salte al paso 8.
4. Afloje, pero no quite la tuerca de seguridad con brida de la polea loca derecha y el tornillo hexagonal de la polea izquierda.

5. Saque el tornillo hexagonal que asegura la varilla guardapoleas del motor al chasis. Vea la Figura 4-1.

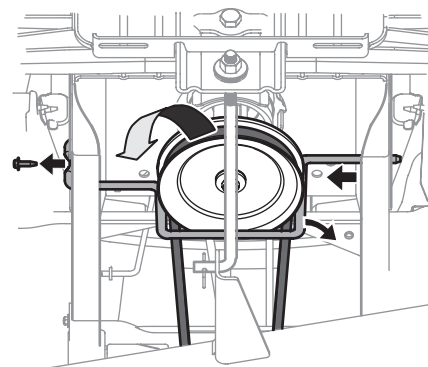


Figura 4-1

6. Deslice la varilla hacia la derecha para sacarla.  
**NOTA:** Cuando extraiga la varilla, actúe con precaución para evitar que se dañe el arnés de cableado.
7. Extraiga el pasador de chaveta que sujeta el cable de la PTO al soporte de la plataforma, tire hacia atrás del cable de la PTO, luego deslícelo fuera del soporte y desenganche el resorte de la polea loca. Vea la Figura 4-2.

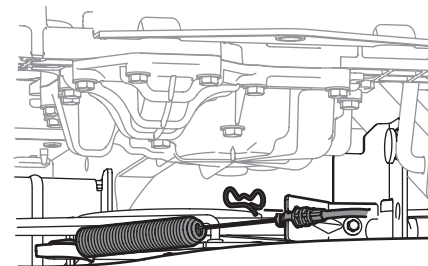


Figura 4-2

8. Desde el lado derecho del tractor, inserte una llave de trinquete de  $\frac{3}{8}$ ", regulada para *ajustar*, en el orificio cuadrado de la polea loca. Vea la Figura 4-3.

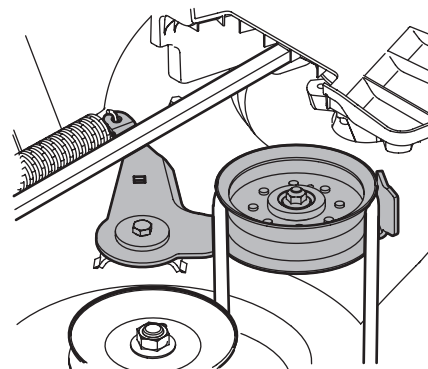


Figura 4-3

- Pivote la llave hacia adelante para mover la polea de transmisión de la plataforma hacia adelante. Vea la Figura 4-3.

**⚠ ADVERTENCIA**

Evite las lesiones por compresión. Al instalar la correa, no coloque nunca los dedos en el resorte intermedio o entre la correa y una polea.

- Extraiga con cuidado la correa de alrededor de la polea de la PTO.
- Mirando hacia la plataforma desde el lado izquierdo del tractor, ubique el pasador de chaveta en el lado posterior izquierdo de la plataforma. Vea la Figura 4-4.

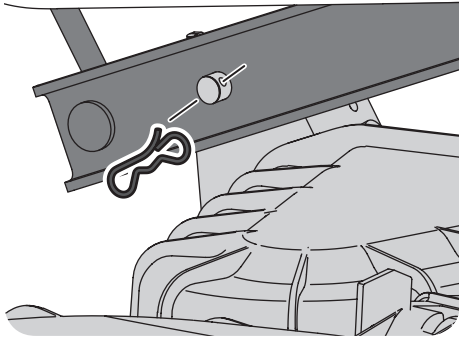


Figura 4-4

- Retire el pasador y saque el pasador de la plataforma del brazo de elevación de la misma. Vea la Figura 4-4.
- Repita los pasos anteriores del lado derecho del tractor.
- Tire del pasador de chaveta con unión curva hacia afuera de la varilla de elevación delantera de la plataforma que la sujeta a la plataforma. Vea la Figura 4-5. Saque la varilla de elevación de la plataforma de la ménsula de suspensión frontal.

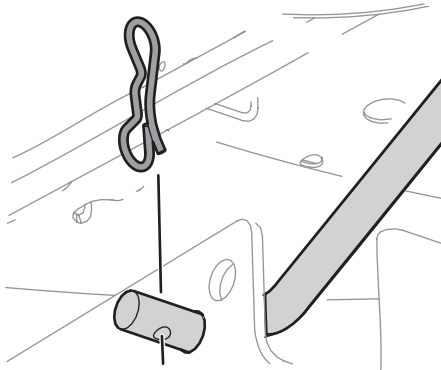


Figura 4-5

- Mueva la palanca de elevación de la plataforma a la muesca superior para levantar el elevador de la plataforma y sacarlo del camino.

**⚠ PRECAUCIÓN**

Hay cierta tensión de los resortes debido al peso de la plataforma. Al retirar el varillaje de elevación de la plataforma, la tensión de los resortes pasará de la plataforma a la manija de elevación de plataforma y retrocederá a su posición original.

- Deslice suavemente la plataforma hacia afuera desde la parte inferior del tractor.

**Instalación de la plataforma**

Para instalar el mazo, invierta las instrucciones de Extracción de mazo en la página 20-21.

**FastAttach™ Blade System (si está equipado)**

**⚠ ADVERTENCIA**

Apague el motor y extraiga la llave de contacto antes de retirar las cuchillas de corte para afilarlas o reemplazarlas. Proteja sus manos utilizando guantes reforzados cuando sujete las cuchillas.

**⚠ ADVERTENCIA**

Inspeccione periódicamente la cuchilla y/o el husillo en busca de rajaduras o daños, especialmente después de golpear un objeto extraño. No opere la máquina hasta después de haber reemplazado los componentes dañados.

**⚠ PRECAUCIÓN**

Si el borde cortante de la cuchilla ha sido afilado previamente o si existe una separación de metal, reemplace las cuchillas por otras nuevas.

**Extracción de las cuchillas**

- Ajuste la altura de la plataforma de corte a su posición más alta.
- Toque con cuidado las ranuras de los dedos en el collar de la cuchilla a los lados de la cuchilla.
- Empuje hacia arriba el collar de la cuchilla y sosténgalo. Ver Figura 4-6.

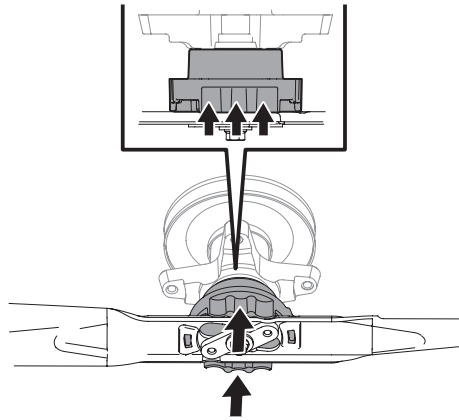


Figura 4-6

- Mientras sostiene el collar en la posición hacia arriba, gire la cuchilla en sentido antihorario para liberarla del collar. Ver Figura 4-7.

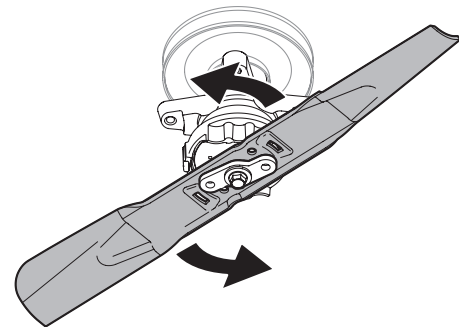


Figura 4-7

- Cuando el agujero en el centro de la hoja se alinee con el retenedor de la hoja del jinete, baje con cuidado la hoja. Ver Figura 4-8.

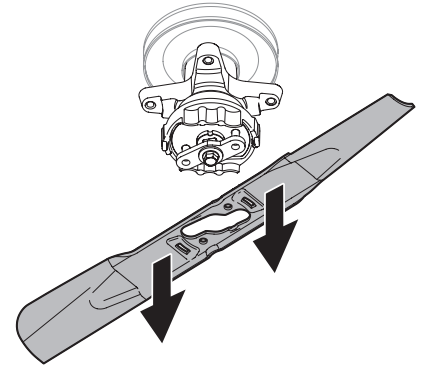


Figura 4-8

**Instalación de la cuchilla**

- Ajuste la altura de la plataforma de corte a su posición más alta.
- Orienta adecuadamente la cuchilla. La parte inferior de la cuchilla está etiquetada como "Lado de césped".
- Coloque la cuchilla debajo del conjunto del eje y alinee con cuidado la abertura grande en el centro de la cuchilla sobre el retenedor de la cuchilla del conductor. Ver Figura 4-9.

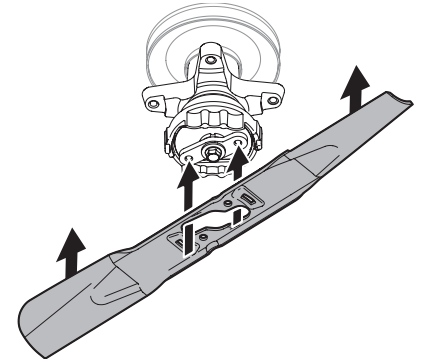


Figura 4-9

- Empuje la cuchilla hacia arriba contra el adaptador de la cuchilla hasta que se eleve el collar de arriba. Ver Figura 4-10.

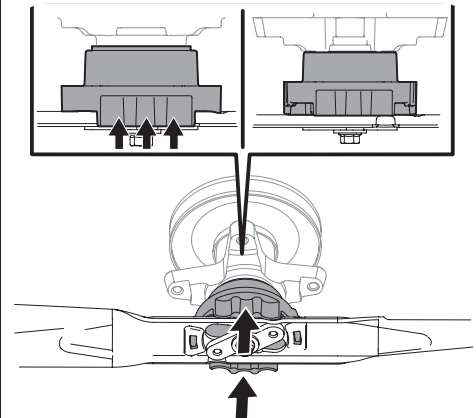


Figura 4-10

10. Gire la cuchilla en el sentido de las agujas del reloj para alinearla con el adaptador de la cuchilla. Ver Figura 4-11.

**NOTA:** Si se siente demasiada resistencia al girar la cuchilla, entonces el husillo está girando, la cuchilla no está alineada correctamente con el adaptador de la cuchilla y la instalación no será exitosa.

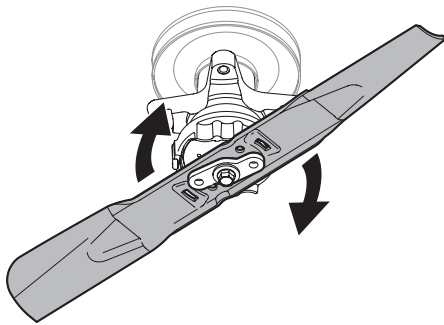


Figura 4-11

11. Habrá un clic audible cuando la cuchilla se bloquee correctamente en su lugar. Ver Figura 4-12.

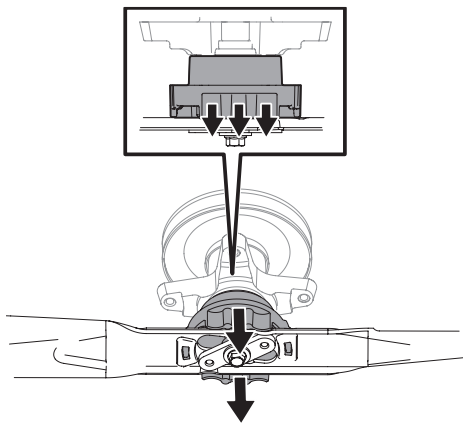


Figura 4-12

### Estándar Cuchillas de corte (si está equipado)

#### ⚠ ADVERTENCIA

Apague el motor y extraiga la llave de contacto antes de retirar las cuchillas de corte para afilarlas o reemplazarlas. Proteja sus manos utilizando guantes reforzados cuando sujete las cuchillas.

#### ⚠ ADVERTENCIA

Inspeccione periódicamente la cuchilla y/o el husillo en busca de rajaduras o daños, especialmente después de golpear un objeto extraño. No opere la máquina hasta después de haber reemplazado los componentes dañados.

#### ⚠ PRECAUCIÓN

Si el borde cortante de la cuchilla ha sido afilado previamente o si existe una separación de metal, reemplace las cuchillas por otras nuevas.

Para retirar las cuchillas, haga lo siguiente.

1. Retire la plataforma desde abajo del tractor, (consulte la sección Retiro de la plataforma anteriormente en esta sección) luego voltee con delicadeza la plataforma para visualizar su parte inferior.
2. Coloque un bloque de madera entre el deflector del alojamiento de la plataforma y la cuchilla de corte para que actúe como estabilizador. Vea la

Figura 4-13.

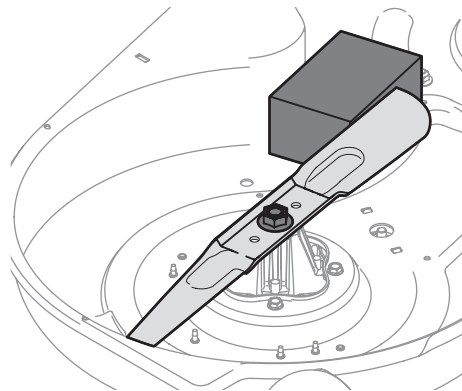


Figura 4-13

3. Extraiga la tuerca de brida hexagonal que asegura la cuchilla al montaje del husillo. Vea la Figura 4-13.
4. Para afilar las cuchillas de corte correctamente, extraiga cantidades iguales de metal de ambos extremos de las cuchillas a lo largo de los bordes cortantes, paralelo al borde de caída, a un ángulo de 25° a 30°. Afile siempre cada borde de las cuchillas de corte de forma pareja para mantener un equilibrio adecuado entre las mismas. Vea la Figura 4-14.

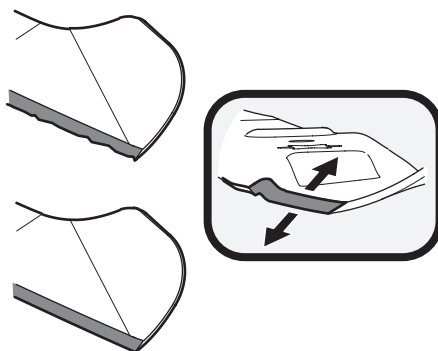


Figura 4-14

5. Pruebe el equilibrio de la cuchilla usando un compensador de cuchillas. Afile el metal del lado pesado hasta que quede bien equilibrada.

#### ⚠ ADVERTENCIA

Una cuchilla mal equilibrada causará exceso de vibración y puede dañar el tractor y/o causar lesiones.

**NOTA:** Cuando reemplace la cuchilla, asegúrese de instalarla con el lado marcado "Bottom" (inferior) (o con el lado que posee un número de pieza estampado) mirando al piso cuando la cortadora de césped está en posición de operación.

#### ⚠ PRECAUCIÓN

Utilice una llave de torsión para ajustar la tuerca de brida hexagonal del husillo de la cuchilla entre 70 pies-libras y 90 pies-libras.

### Cambio de la correa de la plataforma

#### ⚠ ADVERTENCIA

Las correas en V de su tractor están especialmente diseñadas para activar y desactivar con seguridad. Una correa de repuesto (no del fabricante original) puede ser peligrosa por no desactivar completamente. Para una máquina que funcione correctamente, utilice correas aprobadas por la fábrica.

Todas las correas del tractor se desgastan y se las debe cambiar si presentan signos de desgaste. Para cambiar o reemplazar la correa de la plataforma de su tractor, proceda de la siguiente manera:

1. Saque la plataforma como se indicó anteriormente en esta sección en Extracción de la plataforma.
2. Afloje, pero no quite los accesorios a derecha e izquierda de la polea loca.

**NOTA:** En algunas plataformas puede ser necesario retirar las cubiertas de los husillos para sacar y/o instalar la correa nueva. Para retirar las cubiertas de los husillos, saque los tornillos que los sujetan a la plataforma.

3. Saque con cuidado la correa de alrededor de las poleas locas y las poleas de los husillos.

#### ⚠ ADVERTENCIA

Evite las lesiones por compresión. Al extraer la correa, no coloque nunca los dedos en el resorte intermedio o entre la correa y una polea.

4. Coloque la correa nueva como se muestra en la figura correspondiente en las páginas siguientes. Consulte Figura 4-16 para plataformas de 42", Figura 4-16 para plataformas de 46" y Figura 4-17 para plataformas de 50" y 54".

#### Plataformas de 42"

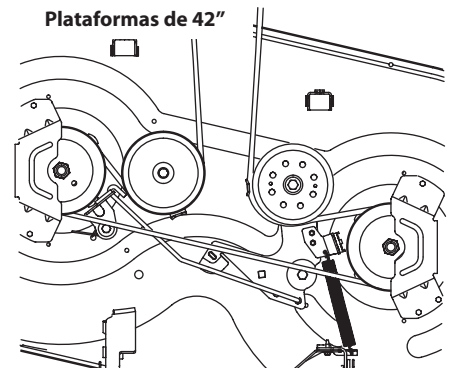


Figura 4-15

#### Plataformas de 46"

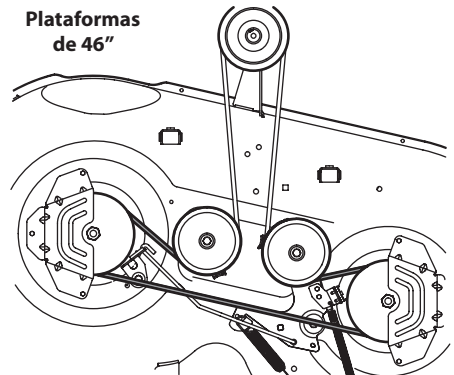


Figura 4-16

### Plataformas de 50" y 54"

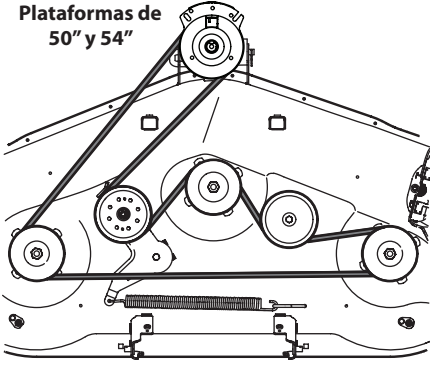


Figura 4-17

**NOTA:** Use una llave de trinquete de  $\frac{3}{8}$ " de pulgada como se indica en pasos anteriores para colocar la correa nueva.

5. Vuelva a apretar las poleas locas, si se aflojaron anteriormente.
6. Vuelva a montar las cubiertas de los husillos si fueron retiradas.
7. Reinstale la plataforma y asegúrese de que la correa se haya pasado alrededor de las poleas como se indica.
8. En unidades con PTO manual, reinstale la varilla guardapolea del motor y el cable de la PTO.
9. Tire del lado derecho de la correa y coloque el lado V angosto de la correa en la polea de la PTO. Vea la Figura 4-18.

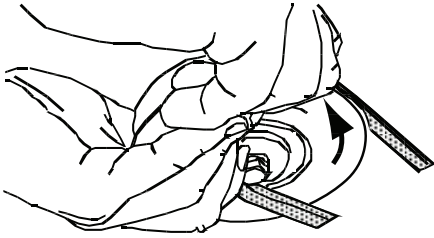


Figura 4-18

10. Mientras sostiene la correa y la polea juntas, rote la polea hacia la izquierda. Siga sosteniendo y rotando la polea y la correa hasta que la correa se enrolle totalmente en la polea de la PTO.

### Cambio de la correa de transmisión

Para cambiar la correa de transmisión del tractor, se deben retirar varios componentes y se deben usar herramientas especiales. Solicite a su distribuidor autorizado que realice el reemplazo de la correa de transmisión.

## Extracción



**¡ADVERTENCIA!** El sistema de escape y las áreas que lo rodean están CALIENTES. Para evitar lesiones personales, deje que el tractor se enfríe antes de comenzar con cualquiera de los procedimientos de instalación o extracción de la protección del cepillo.

1. Extraiga los dos pasadores de chaveta (714-3020), y luego empuje los pasadores (747-06936). Consulte la Figura 4-19.

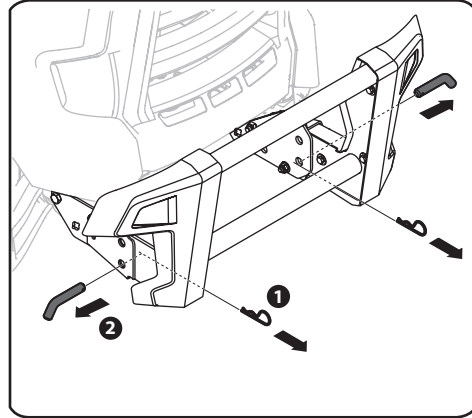


Figura 4-19

2. Ahora se puede extraer el conjunto de la protección del cepillo. Consulte la Figura 4-20.

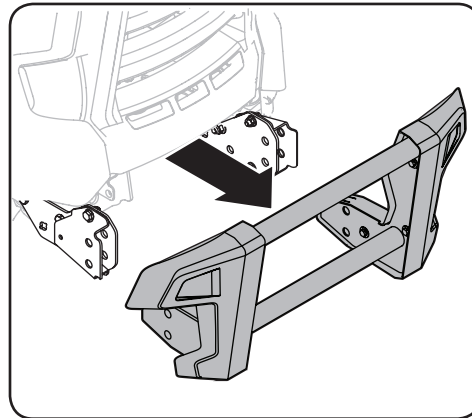


Figura 4-20

**Nota:** Los soportes FastAttach™ (689-00685/689-00686) se pueden dejar en el lugar para utilizarlos con la pala 19A30037100 FastAttach All-Season y con otros accesorios FastAttach™. Consulte CubCadet.com para obtener una lista completa de los productos disponibles.

## Solución de Problemas

### Demasiada vibración

1. Cuchilla de corte floja.
  - Apriete la cuchilla de corte y el husillo.
2. Cuchilla de corte dañada, desbalanceada o doblada.
  - Reemplace la cuchilla de corte.

### Corte irregular

1. Plataforma nivelada incorrectamente.
  - Haga un ajuste de la plataforma de lado a lado.
2. Cuchilla de corte floja o descentrada.
  - Afíle o cambie la cuchilla de corte.
3. Presión de neumáticos desigual.
  - Verifique y corrija la presión de los cuatro neumáticos.

